

Rev. 05/27/08

Features & Options

- Low Profile Delta Enclosure
- Setpoint, Override or Bi-Metal Indicator (optional)
- Communication Jack (optional)
- Test and Balance Switch (optional)
- Wide Selection of Temperature Sensing Elements
- Limited Lifetime Warranty



Delta Style Enclosure

Setpoint & Legend

The optional Setpoint is a linear slidepot adjustment that comes in various ranges, and is available as Reverse or Direct Acting. An optional Setpoint Legend can be imprinted on the base of the enclosure. Common Legends include "Cool/Warm", "65 to 80"(°F), "55 to 85"(°F), and "5 to 30"(°C). (See ordering grid on opposite page for all Legend options.)

Override

The optional Override is a discreet momentary signal that can be configured to be compatible with any controller.

Communication Jack

Available with RJ11 (4 pin), RJ12 (6 pin), RJ45 (8 pin), RJ22 (4 pin) or a 3.5 mm phono plug style jack.

Bi-Metal Indicator

An optional Bi-Metal Indicator shows room temperature; accurate to ± 1 °F. The display is protected by an acrylic plate and comes with a 50 to 90 °F or 10 to 30 °C legend.

Test and Balance Switch

A three-position slider can be provided on the back of the unit to change the sensor output as follows—the "Low" setting is "Full Cool", "Normal" is the live sensor value, and "High" is "Full Heat".

For detailed specifications on the individual Sensors & Transmitters, turn to the Sensors section

*Some items may not be CE compliant, call BAPI for additional information.



Delta Style Enclosure with Setpoint, Override and Bi-Metal Indicator

The BAPI-Guard

- Prevents Tampering, Physical Damage and Unauthorized Adjustment
- Exceptional Airflow for Proper Thermostat Operation
- Two Sizes to Fit Most Thermostats

(See Accessories for more info.)



BAPI-Guard Mounted Over a Thermostat

Specifications

Environmental Operation Range:

Temperature: 32 to 122 °F (0 to 50 °C)
Humidity: 0 to 95%, non-condensing

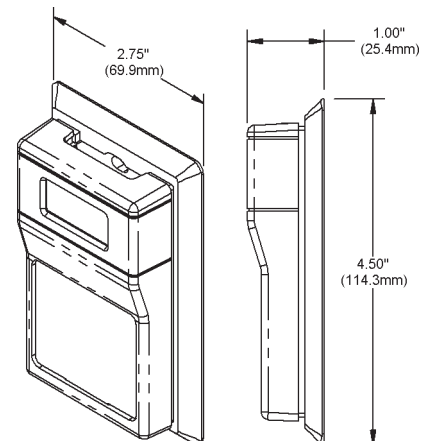
Material:

ABS Plastic

Material Rating:

UL 94, V-0

Delta Style Enclosure





Delta Style Room Units

A5

Temperature Sensors

Rev. 05/27/08

Ordering Information		Delta Style Room Units - Temperature																																
BA/		Sensor Type Use the designator number (shown to the left in bold) to indicate the sensor																																
#	THERMISTORS		RTDs																															
	1.8K 1.8K Ω @ 25 °C 3K 3K Ω @ 25 °C 3.3K 3.3K Ω @ 25 °C 10K-2 10K Ω @ 25 °C 10K-3 10K Ω @ 25 °C 10K-3[11K] 5,238 Ω @ 25 °C 20K 20K Ω @ 25 °C 50K 50K Ω @ 25 °C 100K 100K Ω @ 25 °C	100 100 Ω Platinum @ 0 °C, .385 Ω /°C temp. coeff. 100[3W] 3 Wire 100 Ω Platinum @ 0 °C, .385 Ω /°C temp. coeff. 1K[375] 1K Ω Platinum @ 0 °C, 3.75 Ω /°C temp. coeff. 1K[Ni] 1K Ω Nickel @ 21°C, 5 Ω /°C temp. coeff. 1K 1K Ω Platinum @ 0 °C, 3.85 Ω /°C temp. coeff. 2K 2K Ω Silicon @ 20 °C, 8 Ω /°C temp. coeff.																																
	SEMICONDUCTORS																																	
	334 LM334 Semiconductor 592 AD592 Semiconductor, 273 μ A @ 0 °C 592-10K AD592 Semicond. w/ 10 k Ω shunt resistor, 2.73 V @ 0 °C																																	
Enclosure Style																																		
	-R	Delta Style Room Enclosure																																
	Setpoint	<i>If setpoint is required, must select Range and Legend</i>																																
		SETPOINT OUTPUT VALUE RANGE (insert Designator #)																																
	##	<table border="1"> <thead> <tr> <th>Desired Range</th> <th>Designator</th> <th>Desired Range</th> <th>Designator</th> </tr> </thead> <tbody> <tr> <td>800 to 1200 Ω</td> <td>25</td> <td>15 to 5 kΩ</td> <td>61</td> </tr> <tr> <td>909 to 1309 Ω</td> <td>26</td> <td>0 to 20 kΩ</td> <td>80</td> </tr> <tr> <td>1800 to 2200 Ω</td> <td>27</td> <td>4.75 to 24.75 kΩ</td> <td>81</td> </tr> <tr> <td>0 to 1 kΩ</td> <td>40</td> <td>6.19 to 26.19 kΩ</td> <td>82</td> </tr> <tr> <td>500 to 1500 Ω</td> <td>41</td> <td>7.87 to 27.87 kΩ</td> <td>83</td> </tr> <tr> <td>2 to 3 kΩ</td> <td>42</td> <td>10 to 30 kΩ</td> <td>84</td> </tr> <tr> <td>0 to 10 kΩ</td> <td>60</td> <td colspan="2" style="text-align: center;">See App. Notes for other Setpoint Ranges</td> </tr> </tbody> </table>	Desired Range	Designator	Desired Range	Designator	800 to 1200 Ω	25	15 to 5 k Ω	61	909 to 1309 Ω	26	0 to 20 k Ω	80	1800 to 2200 Ω	27	4.75 to 24.75 k Ω	81	0 to 1 k Ω	40	6.19 to 26.19 k Ω	82	500 to 1500 Ω	41	7.87 to 27.87 k Ω	83	2 to 3 k Ω	42	10 to 30 k Ω	84	0 to 10 k Ω	60	See App. Notes for other Setpoint Ranges	
Desired Range	Designator	Desired Range	Designator																															
800 to 1200 Ω	25	15 to 5 k Ω	61																															
909 to 1309 Ω	26	0 to 20 k Ω	80																															
1800 to 2200 Ω	27	4.75 to 24.75 k Ω	81																															
0 to 1 k Ω	40	6.19 to 26.19 k Ω	82																															
500 to 1500 Ω	41	7.87 to 27.87 k Ω	83																															
2 to 3 k Ω	42	10 to 30 k Ω	84																															
0 to 10 k Ω	60	See App. Notes for other Setpoint Ranges																																
		SETPOINT LEGEND (insert Designator #)																																
		<table border="1"> <thead> <tr> <th>Legend Range</th> <th>Designator</th> <th>Legend Range</th> <th>Designator</th> </tr> </thead> <tbody> <tr> <td>5-30 C</td> <td>L1</td> <td>68-70-72</td> <td>L5</td> </tr> <tr> <td>55-85 F</td> <td>L2</td> <td>COOL/WARM</td> <td>L6</td> </tr> <tr> <td>60-85 F</td> <td>L3</td> <td>WARM/COOL</td> <td>L7</td> </tr> <tr> <td>65-80 F</td> <td>L4</td> <td></td> <td></td> </tr> </tbody> </table>	Legend Range	Designator	Legend Range	Designator	5-30 C	L1	68-70-72	L5	55-85 F	L2	COOL/WARM	L6	60-85 F	L3	WARM/COOL	L7	65-80 F	L4														
Legend Range	Designator	Legend Range	Designator																															
5-30 C	L1	68-70-72	L5																															
55-85 F	L2	COOL/WARM	L6																															
60-85 F	L3	WARM/COOL	L7																															
65-80 F	L4																																	
Override Configuration <i>Must select one</i>																																		
	-J	Override as a Separate Input (Not available with transmitter)																																
	-N	Override in Parallel (//) with Sensor																																
	-P	Override in Parallel (//) with Setpoint																																
	-Z	No Override																																
Communication Jack (Select one if required, omit if not required)																																		
	-C35	3.5 mm Phono Style Jack																																
	-C11	RJ11 (4 pin) Style Jack (Not available with Bi-Metal Indicator)																																
	-C12	RJ12 (6 pin) Style Jack (Not available with Bi-Metal Indicator)																																
	-C45	RJ45 (8 pin) Style Jack (Not available with Bi-Metal Indicator)																																
	-C22	RJ22 (4 pin) Style Jack (Not available with Bi-Metal Indicator)																																
Indicator <i>Select one if required, omit if not required</i>																																		
	-BM5090	Bi-Metal Indicator: 50 to 90 °F legend																																
	-BM1030	Bi-Metal Indicator: 10 to 30 °C legend																																
Optional Test & Balance																																		
	-TB	Three Position Switch - "Low" & "High" values vary, "Normal" is live sensor value. Call for details.																																
Connection Configuration <i>Must select one</i>																																		
	-CG	Common Ground																																
	-DF	Differential Inputs																																
EXAMPLE																																		
BA/	10K-2	-R	25L1	-J	-C35	-BM5090	-CG																											
Example Part Number: BA/10K-2-R25L1-J-C35-BM5090-CG																																		
Your Part Number:																																		

Call BAPI if you have questions about the above ordering/pricing grid or the configuration of the product you are ordering.