

Rev. 05/28/08

Features & Options

- Mounting Tabs for Easy Installation
- Probe Lengths: 2", 4", 8", 12" and 18"
- Series 304 Stainless Steel Probes
- Double Encapsulated Sensors
- Medical-Grade Foam Padding
- Etched Teflon Leadwires
- Several Enclosure Styles
- Wide Selection of Temperature Sensing Elements
- Limited Lifetime Warranty

Single Point Duct Units feature medical-grade closed cell foam to seal the probe insertion hole and to absorb vibration. Mounting tabs allow for easy installation directly to the wall of the duct. All Duct Units have etched Teflon leadwires and double encapsulated sensors to create a watertight package that can withstand high humidity and condensation and perform under real world conditions. Duct Units have probe lengths from 4" to 18" to accommodate most duct shapes and sizes. Custom probe lengths are also available.

Enclosure Styles

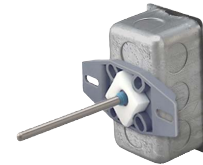
Duct Units come standard with a 2"x4" steel J-Box but are also available with no box or three styles of enclosure: Weatherproof (WP), Weather Tight (EU) or BAPI-Box (BB). The metal WP enclosure carries a NEMA 3R rating, while the ABS polymer EU carries an IP66 rating and is available in a UV-resistant material (EUO). The BAPI-Box (BB) is made of UV-resistant polycarbonate and carries an IP66 rating. BAPI also offers optional liquid-tight fittings. For a comparison of the enclosure styles, please see the App. Notes section.

For detailed specs on the individual Sensors & Transmitters, turn to the "Sensors" section.

*Some items may not be CE compliant, call BAPI for additional info.



No Box (NB)



J-Box



Weatherproof (WP) Enclosure



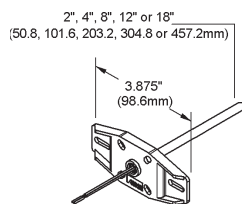
Weather Tight (EU) Enclosure



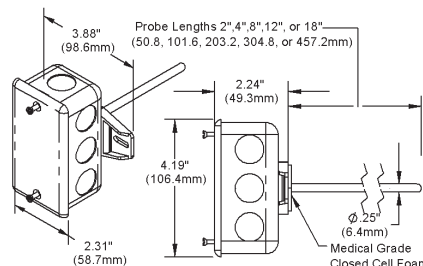
BAPI-Box (BB) Enclosure



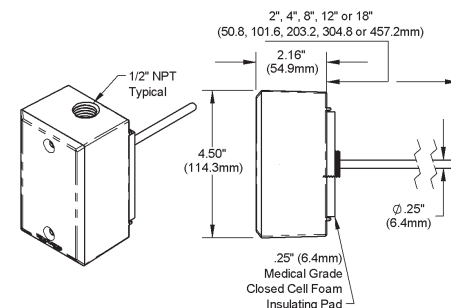
Specifications



Duct Unit with No Box (NB)



Duct Unit with J-Box



Weatherproof (WP) Duct Unit

Enclosure Material:

WP Model: Cast Aluminum
BB Model: Polycarbonate
EU Model: ABS Plastic
J-Box Model: Galv. Steel

Enclosure Rating:

WP Model: NEMA 3R
EU Model: IP66
BB Model: IP66

Environmental Operation Range:

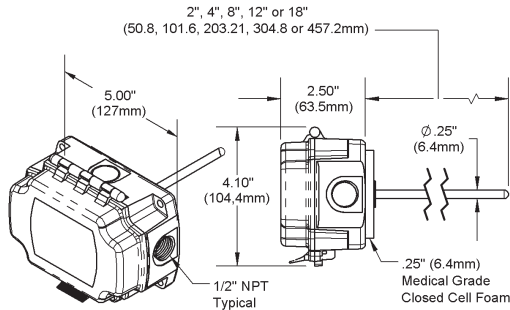
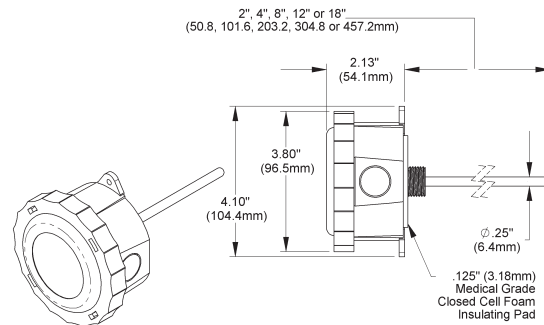
Temperature: -40 °C to 100 °C
Humidity: 0 to 100%, non-condensing

Enclosure Material Rating:

BB & EU Models: UL94, V-0

Rev. 05/28/08

Specifications


BAPI-Box (BB) Duct Unit

Weather Tight Enclosure (EU) Duct Unit

Ordering Information		Duct Units - Temperature	
BA/			
Sensor Type	Use the designator number (shown to the left in bold) to indicate the sensor		
#	THERMISTORS	RTDs	
	1.8K 1.8K Ω @ 25 °C	100 100 Ω Platinum @ 0 °C, .385 Ω /°C temp. coeff.	
	3K 3K Ω @ 25 °C	100[3W] 3 Wire 100 Ω Plat. @ 0 °C, .385 Ω /°C temp. coeff.	
	3.3K 3.3K Ω @ 25 °C	1K[375] 1K Ω Platinum @ 0 °C, 3.75 Ω /°C temp. coeff.	
	10K-2 10K Ω @ 25 °C	1K[Ni] 1K Ω Nickel @ 21°C, 5 Ω /°C temp. coeff.	
	10K-3 10K Ω @ 25 °C	1K 1K Ω Platinum @ 0 °C, 3.85 Ω /°C temp. coeff.	
	10K-3[11K] 5,238 Ω @ 25 °C	2K 2K Ω Silicon @ 20°C, 8 Ω /°C temp. coeff.	
	20K 20K Ω @ 25 °C		
	50K 50K Ω @ 25 °C	SEMICONDUCTORS	
	100K 100K Ω @ 25 °C	334 LM334 Semiconductor	
		592 AD592 Semiconductor, 273 μ A @ 0C	
		592-10K AD592 Semicond. w/ 10 k Ω shunt resistor, 2.73 V @ 0C	
	TEMPERATURE TRANSMITTERS <i>Must include a "range" figure</i>		
	T100[range] 100 Platinum RTD, 100 Ω @ 0 °C with 4 to 20 mA Output		
	T100M[range] 100 Platinum RTD, 100 Ω @ 0 °C with MATCHED 4 to 20 mA Output		
	T1K[range] 1K Platinum RTD, 1,000 Ω @ 0 °C with 4 to 20 mA Output		
	T1KM[range] 1K Platinum RTD, 1,000 Ω @ 0 °C with MATCHED 4 to 20 mA Output		
	T10K[range] 10K Thermistor, 10,000 Ω @ 25 °C with 4 to 20 mA Output		
	TEMPERATURE TRANSMITTER RANGES		
	Custom temperature transmitter ranges are available. Common ranges are listed below		
	40 TO 90F	4 TO 32C	-30 TO 130F
	0 TO 100F	-18 TO 38C	-34 TO 54C
	20 TO 120F	-7 TO 48C	32 TO 212F
	32 TO 134F	0 TO 57C	0 TO 100C
			30 TO 234F
			-1 TO 112C
	Probe Length		
	-D-2"	2" length of 1/4" Diameter, Stainless Steel Probe	
	-D-4"	4" length of 1/4" Diameter, Stainless Steel Probe	
	-D-8"	8" length of 1/4" Diameter, Stainless Steel Probe	
	-D-12"	12" length of 1/4" Diameter, Stainless Steel Probe	
	-D-18"	18" length of 1/4" Diameter, Stainless Steel Probe	
	-D-XX"	Custom lengths of 1/4" Dia, Stainless Steel Probe are available. Call for details.	
	Enclosure Type	2" x4" Steel J-Box comes standard	
	-BB	BAPI-Box Enclosure - IP66 rated, UV-resistant polycarbonate	
	-WP	Weatherproof Enclosure - NEMA 3R rated metal enclosure	
	-EU	Weather Tight Enclosure - IP66 rated ABS polymer enclosure	
	-EUO	Weather Tight Enclosure - IP66 rated UV-resistant enclosure	
	-NB-18	No Junction Box, 18" Lead Length, Plenum Rated Cable	
	-NB-5	No Junction Box, 5' Lead Length, Plenum Rated Cable	
	-NB-10	No Junction Box, 10' Lead Length, Plenum Rated Cable	
	-NB-15	No Junction Box, 15' Lead Length, Plenum Rated Cable	
	-NB-XX	Custom lead lengths (Plenum Rated cable) are available. Call for details.	
EXAMPLE			
BA/	10K-2	-D-8"	-NB-5
Example Part Number: BA/10K-2-D-8"-NB-5			
Your Part Number			

Call BAPI if you have questions about the above ordering grid or the configuration of the product you are ordering.