

## Features & Options

- Mounting Tabs for Easy Installation
- Averaging Lengths: 8', 12' and 24'
- Four Enclosure Styles (optional)
- Limited Lifetime Warranty
- Wide Selection of Temperature Sensing Elements



BAPI Duct Averaging Units feature medical-grade closed cell foam to seal the probe insertion hole and to absorb vibration. Mounting tabs allow for easy installation directly to the wall of the duct. All units have etched Teflon leadwires and encapsulated sensors to create a watertight package that can withstand high humidity and condensation and perform under real world conditions.

Averaging probes should be used wherever there is a chance for stratified layers of hot and cold air. Averaging probes are made of bendable aluminum tubing and measure temperature along their entire length. Nylon tie straps are provided for mounting. Submersible Averaging and Rigid Averaging models are also available.

Duct Averaging Units come standard with a 2"x4" steel J-Box but are also available with no box or three styles of enclosure: Weatherproof (WP), Weather Tight (EU) or BAPI-Box (BB). The metal WP enclosure carries a NEMA 3R rating, while the ABS polymer EU carries an IP66 rating and is available in a UV-resistant material (EUO). The BAPI-Box is made of UV-resistant polycarbonate and carries an IP66 rating. BAPI also offers optional liquid-tight fittings. For a comparison of the enclosure styles, please see the App. Notes section.

**For detailed specs on the individual Sensors & Transmitters, turn to the "Sensors" Section.**

\*Some items may not be CE compliant, call BAPI for additional information.



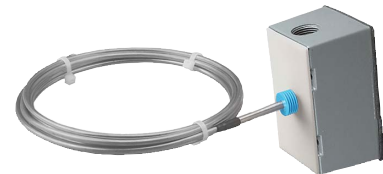
Duct Averaging with J-Box



Duct Averaging with BAPI-Box



Duct Averaging with EU Encl.

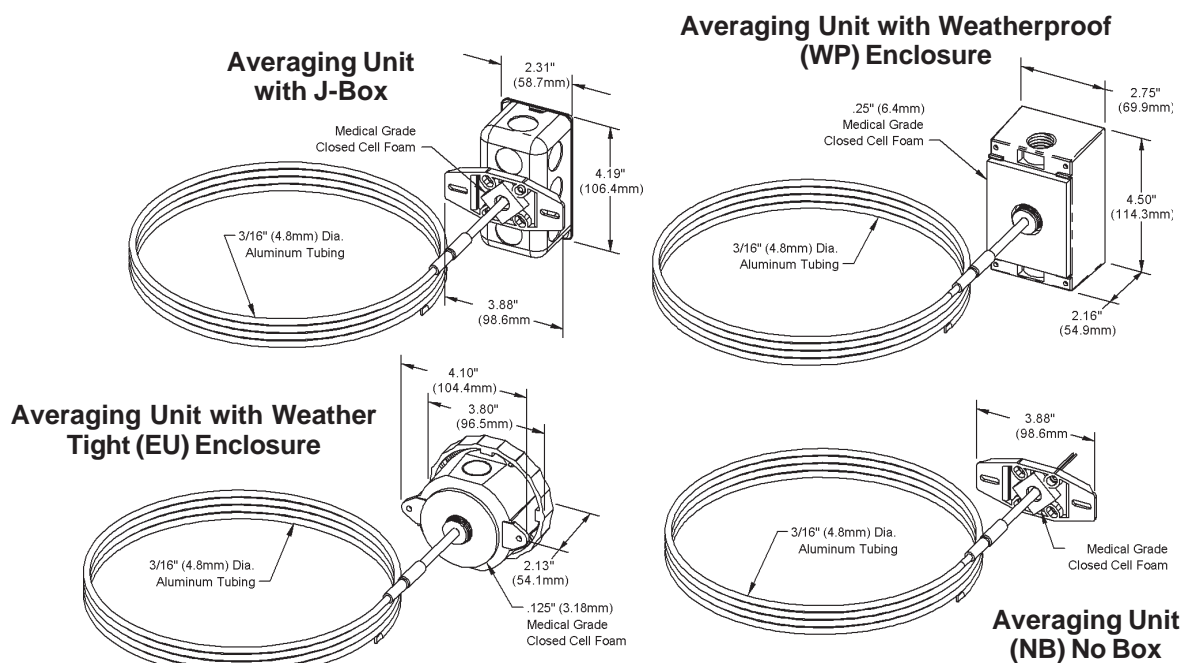


Duct Averaging with WP Encl.



Duct Averaging with No Box

## Specifications for Duct Averaging Units



### Specifications for Duct Averaging & Rigid Duct Averaging Units

**Enclosure Material:**

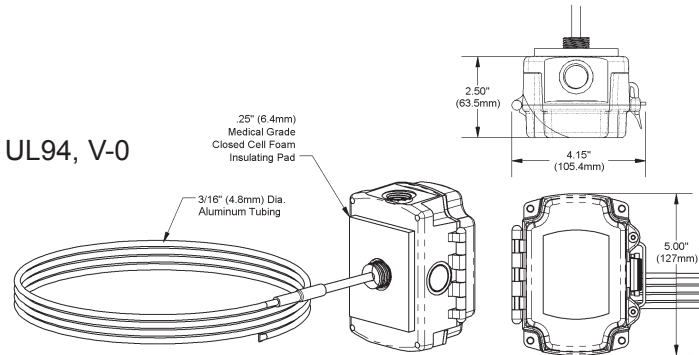
- J-Box Model: Galv. Steel
- WP Model: Cast Aluminum
- EU Model: ABS Plastic, UL94, V-0
- BB Model: UV-resistant polycarbonate, UL94, V-0

**Enclosure Rating:** WP Model: NEMA 3R  
EU & BB Model: IP66

**Environmental Operation Range:**

- Temperature:
- EU & BB Encl.: -40 °C to 85 °C
- J-Box, WP, NB: -40 °C to 100 °C

Humidity: 0 to 95%, non-condensing



**Duct Averaging Unit with BAPI-Box (BB)**

**Ordering Information Duct Averaging Units - Temperature**

BA		Sensor Type		Use the designator number (shown to the left in bold) to indicate the sensor		
#	<b>THERMISTORS</b>		<b>RTDs</b>			
	<b>1.8K</b>	1.8K Ω @ 25 °C	<b>100</b>	100 Ω Platinum @ 0 °C, .385 Ω/°C temp. coeff.		
	<b>3K</b>	3K Ω @ 25 °C	<b>100[3W]</b>	3 Wire 100 Ω Plat. @ 0 °C, .385 Ω/°C temp. coeff.		
	<b>3.3K</b>	3.3K Ω @ 25 °C	<b>1K[375]</b>	1K Ω Platinum @ 0 °C, 3.75 Ω/°C temp. coeff.		
	<b>10K-2</b>	10K Ω @ 25 °C	<b>1K[Ni]</b>	1K Ω Nickel @ 21°C, 5 Ω/°C temp. coeff.		
	<b>10K-3</b>	10K Ω @ 25 °C	<b>1K</b>	1K Ω Platinum @ 0 °C, 3.85 Ω/°C temp. coeff.		
	<b>10K-3[11K]</b>	5,238 Ω @ 25 °C	<b>SEMICONDUCTORS</b>			
	<b>20K</b>	20K Ω @ 25 °C	<b>334</b>	LM334 Semiconductor		
	<b>50K</b>	50K Ω @ 25 °C				
	<b>100K</b>	100K Ω @ 25 °C				
	<b>TEMPERATURE TRANSMITTERS</b>		<i>Must include a "range" figure</i>			
	<b>T100[range]</b>	100 Platinum RTD, 100 Ω @ 0 °C with 4 to 20 mA Output				
	<b>T100M[range]</b>	100 Platinum RTD, 100 Ω @ 0 °C with MATCHED 4 to 20 mA Output				
	<b>T1K[range]</b>	1K Platinum RTD, 1,000 Ω @ 0 °C with 4 to 20 mA Output				
	<b>T1KM[range]</b>	1K Platinum RTD, 1,000 Ω @ 0 °C with MATCHED 4 to 20 mA Output				
<b>T10K[range]</b>	10K Thermistor, 10,000 Ω @ 25 °C with 4 to 20 mA Output					
<b>TEMPERATURE TRANSMITTER RANGES</b>		Custom temperature transmitter ranges are available. Common ranges are listed below				
		40 TO 90F	4 TO 32C	-30 TO 130F	-34 TO 54C	
		0 TO 100F	-18 TO 38C	32 TO 212F	0 TO 100C	
		20 TO 120F	-7 TO 48C	30 TO 234F	-1 TO 112C	
		32 TO 134F	0 TO 57C			
<b>Configuration</b>						
<b>-A-8'</b>		8' Duct Averaging - 3/16" Diameter, Bendable Aluminum				
<b>-A-12'</b>		12' Duct Averaging - 3/16" Diameter, Bendable Aluminum				
<b>-A-24'</b>		24' Duct Averaging - 3/16" Diameter, Bendable Aluminum				
<b>-A-XX'</b>		Custom Length Duct Averaging - 3/16" Diameter, Bendable Aluminum, Call for Details				
<b>-RA-12"</b>		12" Rigid Averaging - 1/4" Diameter, Stainless Steel				
<b>-RA-2'</b>		2' Rigid Averaging - 1/4" Diameter, Stainless Steel				
<b>-RA-4'</b>		4' Rigid Averaging - 1/4" Diameter, Stainless Steel				
<b>-RA-XX</b>		Custom Length Rigid Averaging - 1/4" Diameter, Stainless Steel, Call for details				
<b>Options 2"x4" J-Box comes standard</b>						
<b>-NB</b>		No Junction Box, 18" Leads, Plenum Rated Cable				
<b>-BB</b>		BAPI-Box Enclosure - IP66 rated, UV-resistant polycarbonate				
<b>-EU</b>		Weather Tight Enclosure - IP66 rated ABS polymer enclosure				
<b>-EUO</b>		Weather Tight Enclosure - IP66 rated UV-resistant enclosure				
<b>-WP</b>		Weatherproof Enclosure - NEMA 3R rated metal enclosure				
<b>EXAMPLE</b>						
<b>BA/</b>	<b>10K-2</b>	<b>-A-8'</b>	<b>-NB</b>			
Example Part Number: BA/10K-2-A-8'-NB						
<b>Your Part Number:</b>						

Call BAPI if you have questions about the above ordering grid or the configuration of the product you are ordering.