

Rev. 05/28/08

Features & Options

- Probe Lengths: 2", 4" and 8" (fit standard BAPI Thermowell lengths)
- Series 304 Stainless Steel Probes
- Four Enclosure Styles
- Limited Lifetime Warranty
- Double Encapsulated Sensors & Etched Teflon Leadwires
- Wide Selection of Temperature Sensing Elements



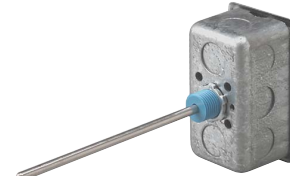
Immersion Units are available in 2", 4" and 8" probe lengths. The sensor is potted inside a 1/4" stainless steel probe with thermally conductive epoxy. All Immersion Units have etched Teflon leadwires and double encapsulated sensors to create a watertight package that can withstand high humidity and condensation.

Enclosure Styles

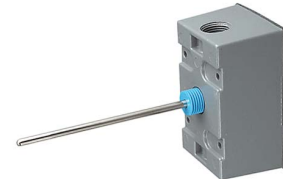
Immersion Units come standard with a 2"x4" steel J-Box but are also available with three styles of enclosure: Weatherproof (WP), Weather Tight (EU) or BAPI-Box (BB). The metal WP enclosure carries a NEMA 3R rating, while the ABS polymer EU carries an IP66 rating and is available in a UV-resistant material (EUO). The BAPI-Box (BB) is made of UV-resistant polycarbonate and carries an IP66 rating. BAPI also offers optional liquid-tight fittings. For a comparison of the enclosure styles, please see the App. Notes section.

BAPI Thermowells

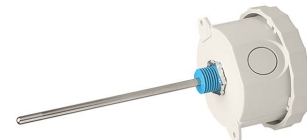
Immersion Unit Probes are designed to be inserted into a Thermowell. BAPI Thermowells are available in machined stainless steel or brass, or welded stainless steel, in lengths to match our Immersion Unit Probe Lengths. For more info, see page A50.



J-Box



Weatherproof (WP) Enclosure



Weather Tight (EU) Enclosure



BAPI-Box (BB) Enclosure

For detailed specs on the individual Sensors & Transmitters, turn to the "Sensors" section.

*Some items may not be CE compliant, call BAPI for additional information.

Specifications

Encl. Material:

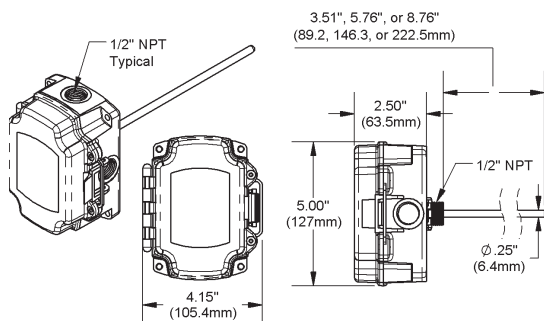
J-Box Model: Galv. Steel
 WP Model: Cast Aluminum
 EU Model: ABS Plastic, UL94, V-0
 BB Model: UV-resistant polycarbonate, UL94, V-0

Environmental Operation Range:

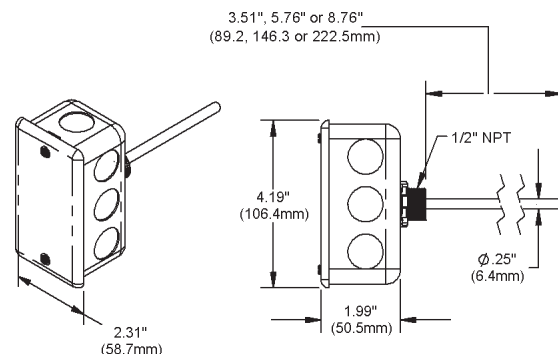
Temperature:
 EU & BB Enclosure: -40 °C to 85 °C
 J-Box, WP Enclosure: -40 °C to 85 °C
 Humidity: 0 to 100%, non-condensing

Encl. Rating: WP Model: NEMA 3R

EU & BB Model: IP66

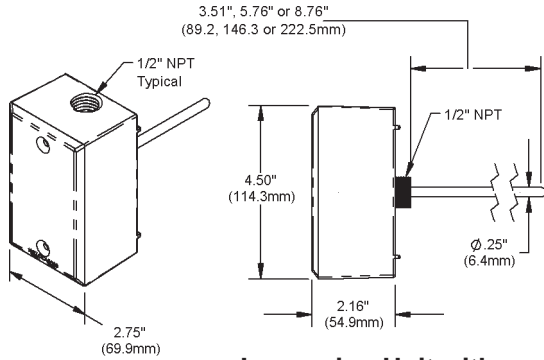


Immersion Unit with BAPI-Box (BB)

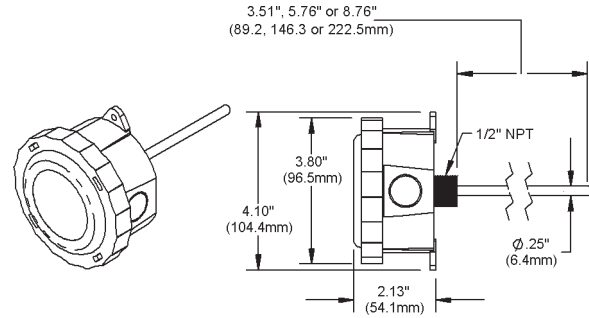


Immersion Unit with J-Box

Specifications



Immersion Unit with Weather Proof (WP) Enclosure



Immersion Unit with Weathertight (EU) Enclosure

Ordering Information		Immersion Units - Temperature																
BA/																		
Sensor Type	Use the designator number (shown to the left in bold) to indicate the sensor																	
#	<p>1.8K 1.8K Ω @ 25 °C</p> <p>3K 3K Ω @ 25 °C</p> <p>3.3K 3.3K Ω @ 25 °C</p> <p>10K-2 10K Ω @ 25 °C</p> <p>10K-3 10K Ω @ 25 °C</p> <p>10K-3[11K] 5,238 Ω @ 25 °C</p> <p>20K 20K Ω @ 25 °C</p> <p>50K 50K Ω @ 25 °C</p> <p>100K 100K Ω @ 25 °C</p>	<p>THERMISTORS</p>	<p>RTDs</p> <p>100 100 Ω Platinum @ 0 °C, .385 Ω/°C temp. coeff.</p> <p>100[3W] 3 Wire 100 Ω Plat. @ 0 °C, .385 Ω/°C temp. coeff.</p> <p>1K[375] 1K Ω Platinum @ 0 °C, 3.75 Ω/°C temp. coeff.</p> <p>1K[Ni] 1K Ω Nickel @ 21°C, 5 Ω/°C temp. coeff.</p> <p>1K 1K Ω Platinum @ 0 °C, 3.85 Ω/°C temp. coeff.</p> <p>2K 2K Ω Silicon @ 20 °C, 8 Ω/°C temp. coeff.</p>															
	<p>T100[range] 100 Platinum RTD, 100 Ω @ 0 °C with 4 to 20 mA Output</p> <p>T100M[range] 100 Platinum RTD, 100 Ω @ 0 °C with MATCHED* 4 to 20 mA Output</p> <p>T1K[range] 1K Platinum RTD, 1,000 Ω @ 0 °C with 4 to 20 mA Output</p> <p>T1KM[range] 1K Platinum RTD, 1,000 Ω @ 0 °C with MATCHED* 4 to 20 mA Output</p> <p>T10K[range] 10K Thermistor, 10,000 Ω @ 25 °C with 4 to 20 mA Output</p>	<p>SEMICONDUCTORS</p> <p>334 LM334 Semiconductor</p> <p>592 AD592 Semiconductor, 273 μA @ 0 °C</p> <p>592-10K AD592 Semicond. w/ 10 kΩ shunt resistor, 2.73 V @ 0 °C</p>	<p>TEMPERATURE TRANSMITTERS <i>Must include a "range" figure</i></p>															
	<p>TEMPERATURE TRANSMITTER RANGES</p> <p>Custom temperature transmitter ranges are available. Common ranges are listed below</p> <table border="0"> <tr> <td>30 TO 81F</td> <td>-1 TO 27C</td> <td>32 TO 212F</td> <td>0 TO 100C</td> </tr> <tr> <td>0 TO 100F</td> <td>-18 TO 38C</td> <td>40 TO 240F</td> <td>4 TO 116C</td> </tr> <tr> <td>20 TO 120F</td> <td>-7 TO 48C</td> <td>50 TO 250F</td> <td>10 TO 121C</td> </tr> <tr> <td>32 TO 134F</td> <td>0 TO 57C</td> <td></td> <td></td> </tr> </table>	30 TO 81F	-1 TO 27C	32 TO 212F	0 TO 100C	0 TO 100F	-18 TO 38C	40 TO 240F	4 TO 116C	20 TO 120F	-7 TO 48C	50 TO 250F	10 TO 121C	32 TO 134F	0 TO 57C			
30 TO 81F	-1 TO 27C	32 TO 212F	0 TO 100C															
0 TO 100F	-18 TO 38C	40 TO 240F	4 TO 116C															
20 TO 120F	-7 TO 48C	50 TO 250F	10 TO 121C															
32 TO 134F	0 TO 57C																	
	<p>Configuration</p> <table border="1"> <tr> <td>-I-2"</td> <td>2" length of 1/4" Diameter, Stainless Steel Probe</td> </tr> <tr> <td>-I-4"</td> <td>4" length of 1/4" Diameter, Stainless Steel Probe</td> </tr> <tr> <td>-I-8"</td> <td>8" length of 1/4" Diameter, Stainless Steel Probe</td> </tr> <tr> <td>-I-XX</td> <td>Custom lengths of 1/4" Diameter, Stainless Steel Probe are available. Call for Details.</td> </tr> </table>	-I-2"	2" length of 1/4" Diameter, Stainless Steel Probe	-I-4"	4" length of 1/4" Diameter, Stainless Steel Probe	-I-8"	8" length of 1/4" Diameter, Stainless Steel Probe	-I-XX	Custom lengths of 1/4" Diameter, Stainless Steel Probe are available. Call for Details.									
-I-2"	2" length of 1/4" Diameter, Stainless Steel Probe																	
-I-4"	4" length of 1/4" Diameter, Stainless Steel Probe																	
-I-8"	8" length of 1/4" Diameter, Stainless Steel Probe																	
-I-XX	Custom lengths of 1/4" Diameter, Stainless Steel Probe are available. Call for Details.																	
	<p>Options <i>2"x4" J-Box comes standard</i></p> <table border="1"> <tr> <td>-BB</td> <td>BAPI-Box Enclosure - IP66 rated, UV-resistant polycarbonate</td> </tr> <tr> <td>-EU</td> <td>Weather Tight Enclosure - IP66 rated ABS polymer enclosure</td> </tr> <tr> <td>-EUO</td> <td>Weather Tight Enclosure - IP66 rated UV-resistant enclosure</td> </tr> <tr> <td>-WP</td> <td>Weatherproof Enclosure - NEMA 3R rated metal enclosure</td> </tr> </table>	-BB	BAPI-Box Enclosure - IP66 rated, UV-resistant polycarbonate	-EU	Weather Tight Enclosure - IP66 rated ABS polymer enclosure	-EUO	Weather Tight Enclosure - IP66 rated UV-resistant enclosure	-WP	Weatherproof Enclosure - NEMA 3R rated metal enclosure									
-BB	BAPI-Box Enclosure - IP66 rated, UV-resistant polycarbonate																	
-EU	Weather Tight Enclosure - IP66 rated ABS polymer enclosure																	
-EUO	Weather Tight Enclosure - IP66 rated UV-resistant enclosure																	
-WP	Weatherproof Enclosure - NEMA 3R rated metal enclosure																	
EXAMPLE																		
BA/	10K-2	-I-8"	-EU															
Part Number: BA/10K-2-I-8"-EU																		
Your Part Number:																		

Call BAPI if you have questions about the above ordering grid or the configuration of the product you are ordering.