

Features & Options

- Delta Style or BAPI-Stat 2 Style Enclosure
- Larger LCD Display
- Occupancy Override
- Setpoint Adjustment Slider
- Optional Communications Jack
- Two Year Warranty



T1K Unit in BAPI-Stat 2 Enclosure with Optional Display, Setpoint and Occupant Override

The T1K/T100 Transmitter Room Unit comes in the Delta style or the new BAPI-Stat 2 style enclosure style which is similar in size to the Delta but with a larger LCD display, and greater functionality.

The T1K/T100 unit provides local indication of Temperature and Setpoint with Setpoint Adjust and Override. The Setpoint Adjustment is a linear slidepot which is displayed on the LCD for a short time after an adjustment. The Setpoint can be displayed as an offset (i.e. -2, -1, 0, 1, 2) or as a value within a specified temperature range (i.e. 65 to 80 °F).

The Override is a momentary signal that can be configured in parallel with the resistive setpoint or as a separate output. An optional 3.5mm (1/8") or RJ11

Communication Jack can be mounted in the base to provide direct access to the network.

VC75 - AC to DC Voltage Converter

The T1K/T100 Transmitter Unit requires 15-24 VDC power. With its compact size and rugged design, BAPI's VC75 is the perfect unit to provide that power. For more info, see the Accessories section.



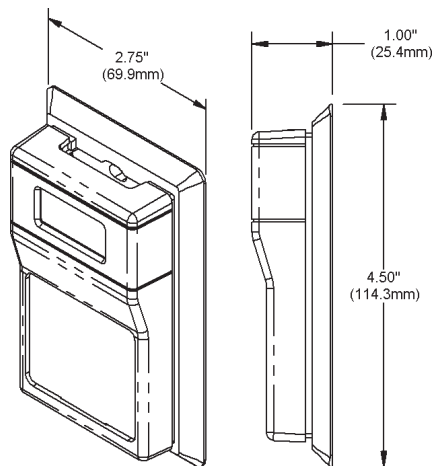
VC75 in optional snaptrack

For detailed specs on the T1K & T100 Transmitters, turn to "Sensors".

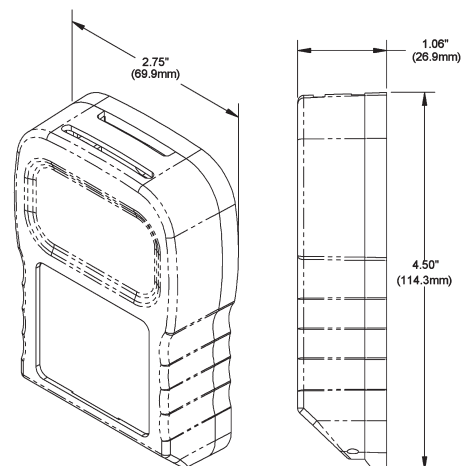


T1K Unit in Delta Style Enclosure (Display, Setpoint and Override are not available in the Delta Style Enclosure)

Specifications



Delta Style Enclosure



BAPI-Stat 2 Enclosure

** BAPI recommends that you do not run wiring for the Room Units in the same conduit as line voltage wiring or with wiring used to supply highly inductive loads such as motors, generators, and coils. Also, these units are not designed for line voltage applications. They are intended to be connected to analog inputs (AI's) set in the "resistive" mode.



T1K/T100 Transmitter Room Unit

A23

Temperature Sensors

Rev. 02/12/07

Specifications

Power:

7 to 30 VDC (28 VDC max. recommended) Temp. Only current loop
 12 to 30 VDC (28 VDC max. recommended) Temp. & Setpoint current loop

Power Consumption: 40 mA maximum

Sensing Element: 100Ω or 1KΩ Platinum RTD

Comm. Jack: Optional 3.5mm (1/8") Phono Jack or RJ11 Phone Jack

Mounting: Standard 2" by 4" J-box or drywall mount (mounting screws provided)

Environmental Operation Range:

Temp.: 32 to 122 °F (0 to 50 °C)
 Humidity: 0 to 95%, non-condensing

Wiring: 2 to 4 pair of 16 to 22AWG**

Material: ABS Plastic

Material Rating: UL94, V-0

Ordering Information		T1K/T100 Temperature Transmitter Room Unit						
BA/								
Temperature Transmitter Type (Must include a range)								
T100[range]		100 Platinum RTD, 100 Ω @ 0 °C with 4 to 20 mA Output						
T100M[range]		100 Platinum RTD, 100 Ω @ 0 °C with MATCHED* 4 to 20 mA Output						
T1K[range]		1K Platinum RTD, 1,000 Ω @ 0 °C with 4 to 20 mA Output						
T1KM[range]		1K Platinum RTD, 1,000 Ω @ 0 °C with MATCHED* 4 to 20 mA Output						
Ranges for Temperature Transmitters								
Custom temperature transmitter ranges are available. Common ranges are listed below								
65 TO 80F		18 TO 27C		40 TO 90F		4 TO 32C		
60 TO 80F		15 TO 27C		45 TO 96F		7 TO 35C		
55 TO 85F		13 TO 30C		0 TO 100F		-18 TO 38C		
50 TO 90F		10 TO 32C						
Enclosure Style								
-R	Delta Style Room Enclosure (Not available with Display, Setpoint or Override in the Delta Style Enclosure)							
-B	BAPI-Stat 2 Style Room Enclosure							
LCD Display								
D	LCD Display (Only available for the BAPI-Stat 2 Style Enclosure)							
X	No LCD Display							
Setpoint Display Options (Must select one)								
- #	Note: Setpoint display range cannot be larger than the Temperature Transmitter range selected above.							
SETPOINT DISPLAY OPTIONS								
	<u>Desired Range</u>	<u>Designator</u>	<u>Desired Range</u>	<u>Designator</u>				
	-2 to +2	P	65 to 80 °F or 18 to 27 °C	F				
	-3 to +3	A	45 to 96 °F or 7 to 36 °C	G				
	-5 to +5	B	70 to 74 °F or 21 to 23 °C	L				
	50 to 90 °F or 10 to 32 °C	C	60 to 85 °F or 15 to 30 °C	AA				
	55 to 85 °F or 13 to 30 °C	D	41 to 85 °F or 5 to 30 °C	CC				
	60 to 80 °F or 15 to 27 °C	E	No Setpoint Display	X				
Setpoint (If setpoint is required, must select Range and Legend)								
SETPOINT OUTPUT VALUE RANGE (insert Designator #)								
	<u>Desired Range</u>	<u>Designator</u>	<u>Desired Range</u>	<u>Designator</u>				
	674 to 274 Ω	23	15 to 5 kΩ	61				
	800 to 1200 Ω	25	0 to 20 kΩ	80				
	909 to 1309 Ω	26	4.75 to 24.75 kΩ	81				
	1800 to 2200 Ω	27	6.19 to 26.19 kΩ	82				
	0 to 1 kΩ	40	7.87 to 27.87 kΩ	83				
	2 to 3 kΩ	42	10 to 30 kΩ	84				
	0 to 10 kΩ	60	4-20 mA	16***				
See App. Notes pg 2 for Other Setpoint Ranges								
SETPOINT LEGEND (insert Designator #)								
	<u>Legend Range</u>	<u>Designator</u>	<u>Legend Range</u>	<u>Designator</u>				
	5-30 C	L1	65-80 F	L4				
	55-85 F	L2	COOL/WARM	L6				
	60-85 F	L3						
Override Configuration (Must select one)								
-J	Override as a Separate Input (Not available with transmitter)							
-P	Override in Parallel (//) with Setpoint (Not available with 4-20mA Setpoint Output)							
-Z	No Override							
Optional Communication Jack (Omit if not required)								
-C11L	RJ11 (4 pin) Style Jack with Leads Attached							
-C11LT	RJ11 (4 pin) Style Jack with Leads and a Terminal Block Attached							
-C35L	3.5 mm Phono Style Jack with Leads Attached							
-C35LT	3.5 mm Phono Style Jack with Leads and a Terminal Block Attached							
-C22L	RJ22 (4 pin) Style Jack with Leads Attached							
-C22LT	RJ22 (4 pin) Style Jack with Leads and Terminal Block Attached							
Connection Configuration (Must select one)								
-CG	Common Ground - Common to return 4-20 mA Setpoint signal							
-DF	Differential Inputs - Required for resistive setpoint and override.**							
EXAMPLE								
BA/	T100[65 TO 80F]	-B	D	-P	25L6	-J	-C35L	-CG
Example Part Number: BA/T100[65 TO 80F]-BD-P25L6-J-C35L-CG								
Your Part Number:								

Call BAPI if you have questions about the above ordering/pricing grid or the configuration of the product you are ordering.
 **There can be a common between the setpoint and override if the setpoint is resistive.