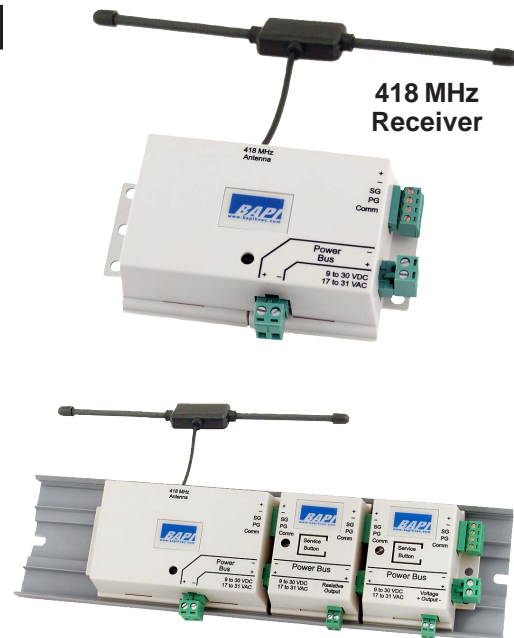


Rev. 03/11/08

**Features & Options**

- 100 Foot Range
- Extendable Antenna for Optimum Reception
- Surface, Snaptrack or Din Rail Mounting
- Can Accommodate Up To 127 Analog Output Modules

The BAPI 418 MHz unit receives the RF signal from one or more wireless temperature or humidity transmitters which have a range of 100 feet. The receiver then outputs the values to any Analog Output Module through a four-wire bus. The Analog Output Module converts the signal to an analog voltage, current or resistance for the controller. The receiver can accommodate up to 127 different Analog Output Modules. It is surface, snaptrack or din rail mountable with a 79" extendable antenna for optimum reception.

**PART NUMBERS:****BA/RCV418****BA/RCV418-35DIN** (35mm Din Rail Mounting)

**418 MHz Receiver with two Analog Output Modules mounted in 2.75" snaptrack**

**Associated Products**

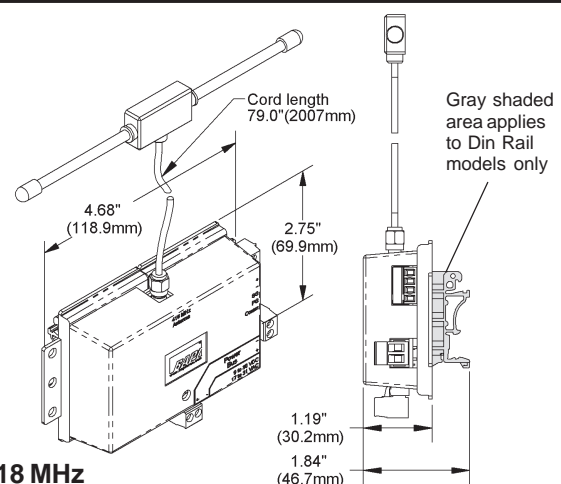
- **Wireless Temperature or Temp./Humidity Transmitter**  
Measures the room temperature and/or humidity and transmits the data through 418MHz RF to a receiver. The 1 mW transmitter is mounted in a BAPI-Stat 2 style enclosure and has an open-air range of 100 feet.
- **Analog Output Modules:**  
Converts the signal from the Receiver into a Resistance, Voltage or Current for sending to the controller.
- **Repeater**  
Extends the range of the Transmitter up to 1,000 feet.

**Specifications for the 418 MHz Receiver****Supply Power:** 9 to 30 VDC or 17 to 31 VAC**Power Consumption:** 20 mA max. DC, .5 VA max AC**Inputs:** 418MHz**Bus Cable Distance:**

4,000 ft with shielded, twisted pair cable  
(Belden 9841, Belden 8132 or equivalent)

**Maximum Output Modules per Receiver:** 127**Environmental Operation Range:**

Temp: 0° to 60°C  
Humidity: 5% to 95% RH non-condensing

**Material:** ABS Plastic**Material Rating:** UL94, V-0

**418 MHz Receiver**