

## Wireless Sensors

Rev. 12/05/07

### Features & Options

- 8 Year Battery Life (with two 3.6V lithium batteries, full AA size)
- 100 foot range, extendable to 1,000 feet with Repeater
- Transmitted signals can be converted to Voltage, Current or Resistive Outputs for the Controller
- Probe Lengths: 2", 4" and 8" (fit standard BAPI Thermowells)
- Watertight BAPI-Box Enclosure and Stainless Steel Probes
- Etched Teflon Leadwires & Double Encapsulated Sensors
- 2 Year Warranty



**Wireless Immersion  
Temperature Transmitter**

BAPI Wireless Immersion Units are available in 2", 4" and 8" probe lengths. The sensor is potted inside a 1/4" stainless steel probe with thermally conductive epoxy. The Immersion Units come with etched teflon leadwires, double encapsulated sensors and a BAPI-Box enclosure to withstand high humidity and condensation and perform under real world conditions.

The Wireless Immersion Temperature Transmitter measures the temperature and transmits the data through 418MHz RF to a receiver. It has a minimum in-building range of 100 feet and an estimated battery life of 8 years using two high-capacity 3.6V lithium batteries with a transmit rate of about once every 10 seconds. Each transmitter has a unique address with built in error detection. Each variable sent by the transmitter is picked up by the receiver and converted by a BAPI Analog Output Module to a voltage, current or resistance signal which is sent to the controller. The unit can be set up to trigger an alarm on the controller when the batteries need replacing.

#### BAPI Thermowells

Immersion Unit Probes are designed to be inserted into a Thermowell. BAPI Thermowells are available in machined stainless steel or brass, or welded stainless steel, in lengths to match our Immersion Unit Probe Lengths. For more info, see page A50.



**PART NUMBER: BA/WT-I-2"** - Wireless Immersion Temperature Transmitter, 2" Probe Length  
**PART NUMBER: BA/WT-I-4"** - Wireless Immersion Temperature Transmitter, 4" Probe Length  
**PART NUMBER: BA/WT-I-8"** - Wireless Immersion Temperature Transmitter, 8" Probe Length  
**PART NUMBER: BA/LI3620** - Lithium Battery 3.6V

*\*Custom Lengths of 1/4" Diameter Stainless Steel Probe are Available. Call BAPI for more information.*

### Specifications

**Supply Power:** Two 3.6V Lithium batteries, 8 year battery life at 10 second transmit rate

**Inputs:** Built in thermistor

**Accuracy:**  $\pm 0.2$  °C

**Transmitted Range:** -40° to 85°C

**Environmental Operation Range:**

Temp: -40°C to 85°C

Humidity: 0% to 100% RH, non-condensing

**Enclosure Rating:** IP66

**Enclosure Material:** UV-Resistant Polycarbonate

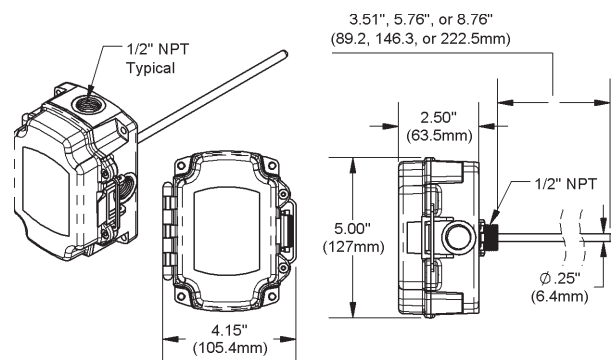
**Material Rating:** UL94 V-0

**Radio Frequency:** 418 MHz

**Transmitter Interval:** ~10 seconds

**Antenna:** Built inside the enclosure

**FCC Approval:** FCC ID# T4F060811TEMP



**Wireless Immersion Temperature  
unit in a BAPI-Box (BB) Enclosure**