



Fan coil thermostat AC 230 V

Application

CF230-B201 thermostat is used to control the room temperature for FRU../RB.. in 2 pipe fan coil unit system.

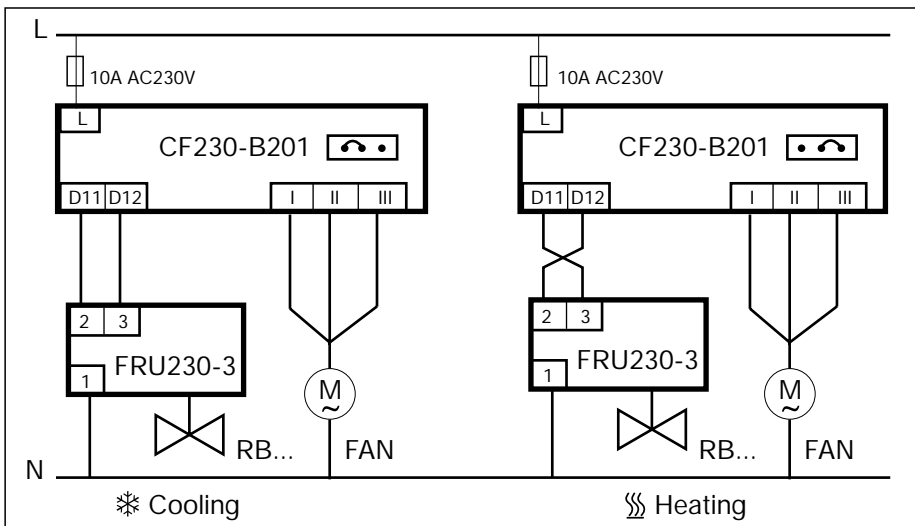
Features

- New stylish Thermostats
- Convenient operation
- Switching differential range is reduced by heat anticipator
- 3 fan speed control
- Heating only or cooling only

Temperature adjusting

By knob from 10°C to 35°C.

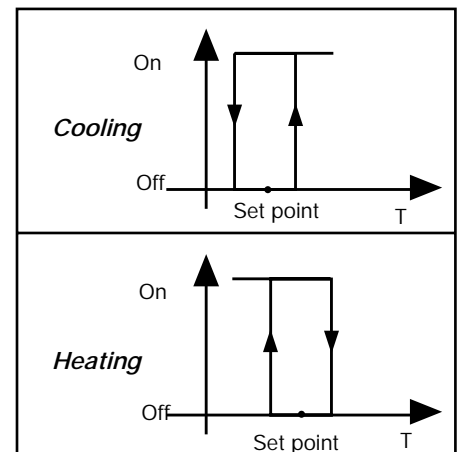
Wiring diagram



Note

Pre-fix the PCB jumper and wiring to FRU.. actuator can define the permanent heating or cooling mode.

Operation mode

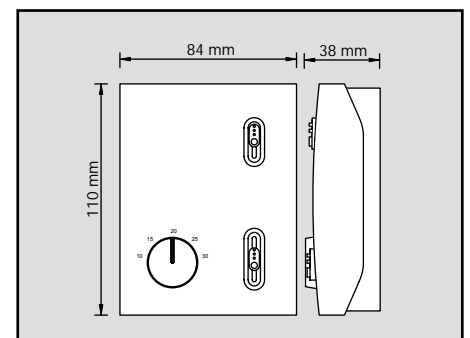


Technical data	CF230-B201
Nominal voltage	AC 230 V 50/60 Hz
Nominal voltage range	AC 198...264 V
Connection	Terminal
Cable size	1 mm ² Max.
Switching differential range	1.5 K
Rated current to fan	6 (1) A
Rated voltage to fan	AC 230 VAC 50/60 Hz
Set point range	10 ... 35°C
LV Directive	CE according to 73/23/EEC
Mounting	Provide screws
Weight	140 g
Features of automatic action	Type 1C - micro-interruption
Control pollution situation	Pollution degree 2
Rated impulse voltage	CAT III: 4.0kV

- If any destroyed parts, only can be replaced by accredited servicing agents.

- Do not open this unit. No serviceable parts inside. Only can be opened by accredited servicing agents.

Dimensions



Mounting hole dimensions

