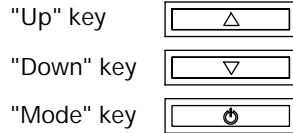
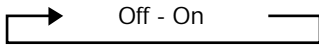


## Operating

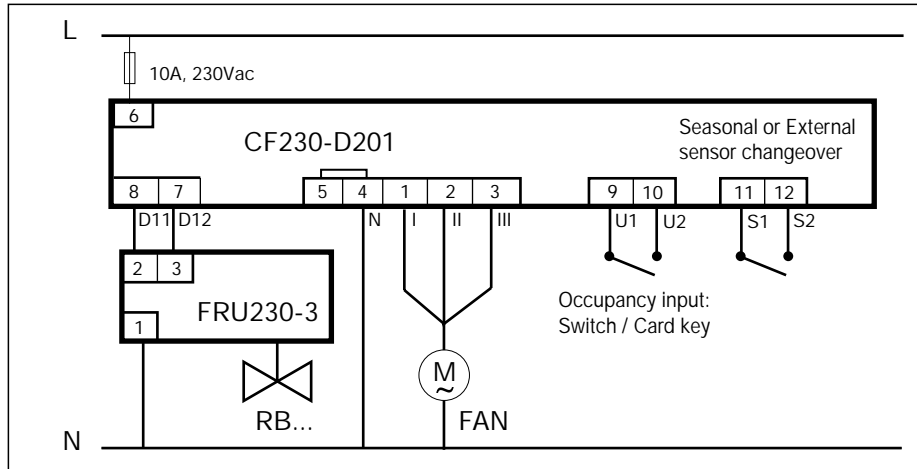
- Function selection by 3 soft touch keys.

Operating mode:  
(By Mode key)



- Press and hold mode key for 1s, system mode changes from OFF to ON mode.
- Press "Up" or "Down" key to change the temperature setpoint.
- Short press any key will switch on the backlight for 5s.
- Occupancy sensor input for Normal/Unoccupied mode selection.  
(Recommend to use double insulated dry contact or relay for occupancy sensor switching.)
- 3-speeds fan control by manual slide switch.
- Seasonal changeover by switch or external sensor TG-K10000 (optional).

## Wiring diagram



Technical data	CF230-D201
Nominal voltage	AC 230 V 50/60 Hz
Nominal voltage range	AC 207...253 V
Connecting cable	1 mm <sup>2</sup> recommended
Switching differential	1 K
Sensing element & control	NTC Thermistor for electronic control
Connection	Terminal
Rated current to fan	6 (1) A
Rated voltage to fan	230VAC
Setpoint range	10...30°C
Occupancy input	Open: Normal mode Closed: Unoccupied mode
Unoccupied mode setpoint	Heating 16°C Cooling 26°C
Seasonal changeover by switch	Open: Cooling Closed: Heating
Seasonal changeover by NTC sensor	Switching point: 30°C Ext. temperature sensor TG-K10000 (optional)
Protection class	II
LV Directive	CE according to 73/23/EEC
EMC	CE according to 89/336/EEC
Mounting	Screws provided
Weight	210 g
Control pollution situation	Pollution degree 2
Rated impulse voltage	CAT II: 2.5kV

- The product would reset automatically under strong electrostatic environment.
- The product would not perform normally under mains power fluctuations, or under strong electric fast transient/burst environment
- Replacement parts can be replaced by accredited servicing agents only.

- Do not open the thermostat cover. No serviceable parts inside.  
To be opened by accredited servicing agents only.



## Fan coil LCD thermostat AC 230 V

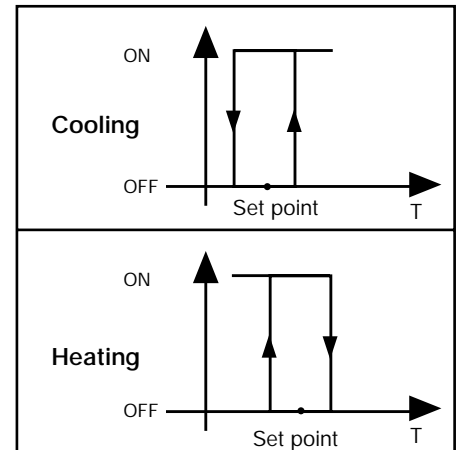
### Application

CF230-D201 thermostat is used to control the FRU../RB.. fan coil valve to maintain room temperature in air conditioning system.

### Features

- New stylish Thermostats
- Convenient operation
- LCD with blue backlight
- 3 speeds fan control
- Soft touch operation keys

### Operation mode



### Dimensions

