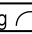




- Non-spring return actuators, for operation of DN50...65 Butterfly valves
- Torque 10 Nm
- Open/Close or 3-point control: NRVU24(-S), NRVU230(-S)
- Modulating control: NRVU24-SR

Technical data

NRVU24(-S)	Nominal voltage	AC 24 V 50/60 Hz, DC 24 V	
	Nominal voltage range	AC/DC 19.2... 28.8 V	
	Power consumption - running	2.0 W	
	- holding	0.2 W	
	For transformer/wire sizing	4 VA	
	Connecting cable - Motor	Cable 1m, 3 x 0.75mm ²	
	- Auxiliary switch(-S)	Cable 1m, 3 x 0.75mm ²	
Protection class	III (safety low voltage)		
Weight	NRVU24 approx 750g, NRVU24-S approx 850g		
NRVU230(-S)	Nominal voltage	AC 100... 240 V 50/60 Hz	
	Nominal voltage range	AC 85... 265 V	
	Power consumption - running	3.0 W	
	- holding	0.6 W	
	For wire sizing	7 VA	
	Connecting cable - Motor	Cable 1m, 3 x 0.75mm ²	
	- Auxiliary switch(-S)	Cable 1m, 3 x 0.75mm ²	
Protection class	II (Totally insulated) <input type="checkbox"/>		
Weight	NRVU230 approx 800g, NRVU230-S approx 850g		
NRVU24-SR	Nominal voltage	AC 24 V 50/60 Hz, DC 24 V	
	Nominal voltage range	AC/DC 19.2 ... 28.8 V	
	Power consumption - running	2.5 W	
	- holding	0.4 W	
	For transformer/wire sizing	5 VA	
	Connecting cable	Cable 1m, 4 x 0.75mm ²	
	Control signal Y	DC 2(0)...10 V @ input resistance 100K Ω	
	Feedback signal U	DC 2...10 V @ max. 1 mA	
	Synchronisation	\pm 5%	
	Protection class	III (safety low voltage)	
	Weight	800g	
	Common technical data	Torque	Min. 10 Nm @ nominal voltage
		Auxiliary switch (NRVU...-S)	1 x SPDT 1 mA... 3 (0.5) A, AC 250 V <input type="checkbox"/> 0..100% adjustable
	Angle of rotation	max. 90°	
	Direction of rotation	Pre-setting  to close (switch hidden under a label)	
	Sound power level	max. 45 dB(A)	
	Position indicator	mechanical, remote visible	
	Manual override	Gearing disengaged by pressing the pushbutton, manual operate while the button is held depressed	
	Running time	90s	
	Mode of operation	EN 60730-1 Type 1	
	Ambient temp.	- 30°C... + 50°C	
	Non-operation temp.	- 40°C... + 80°C	
	Humidity test	95% RH, non condensing (EN 60730-1)	
	Degree of protection	IP54 in any direction	
	EMC	CE according to 89/336/EEC	
	Low Voltage Directive	CE according to 73/23/EEC	
	Maintenance	maintenance free	

Product features

Mode of operation NRVU24-SR is controlled by means of a standard control signal DC 2(0)...10V and travels to the position defined by this signal. The feedback signal U allows the valve position (0...100%) to be electrically indicated and serves as a follow-up control signal for other actuators.

Adjustable angle of rotation Adjustable angle of rotation with mechanical end stops.
High functional reliability The actuator is overload-proof, requires no limit switches and automatically stops when the endstop is reached.

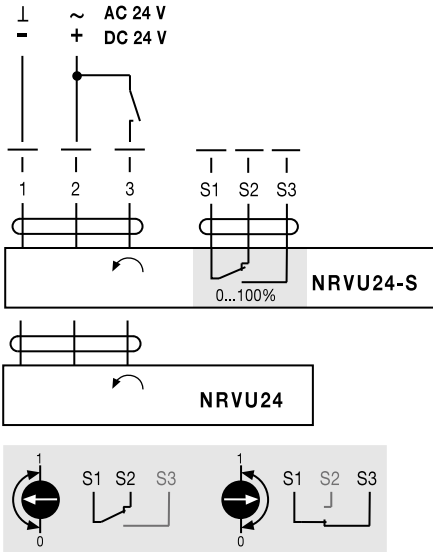
Flexible signalization Flexible signalization of the NRVU..-S with adjustable auxiliary switch (0...100%).

Simple mounting Includes WD6-NRSR linkage kit, see page 27.

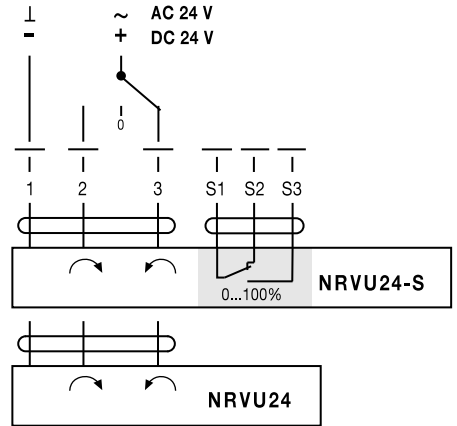
Wiring diagrams

NRVU24(-S)

Open/Close control



3-point control



Notes

- Connection via safety isolating transformer.
- Other actuators can be connected in parallel. Please note the performance data.

Direction of rotation
(factory setting, switch hidden)

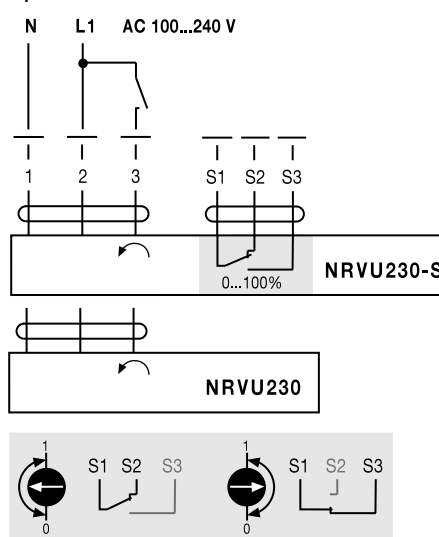


Auxiliary switch(-S)

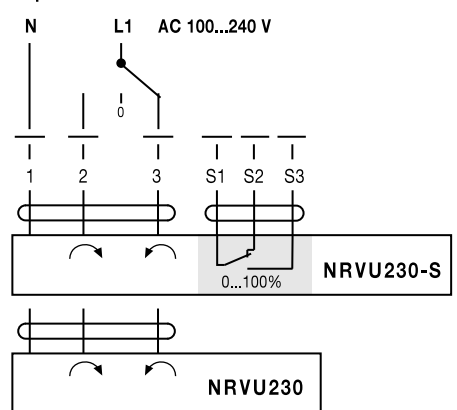


NRVU230(-S)

Open/Close control



3-point control



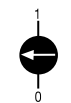
Notes

- Caution: Power supply voltage !
- Other actuators can be connected in parallel. Please note the performance data.

Direction of rotation
(factory setting, switch hidden)



Auxiliary switch(-S)



NRVU24-SR

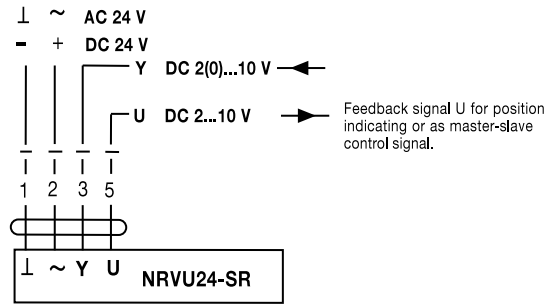
Modulating control

Notes

- Connection via safety isolating transformer.
- Other actuators can be connected in parallel. Please note the performance data.



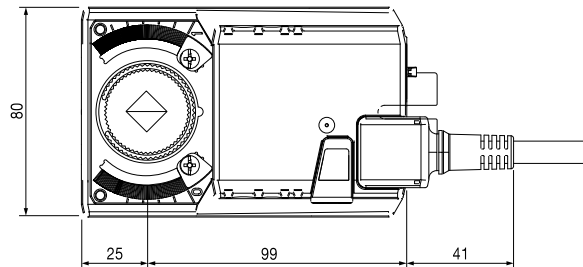
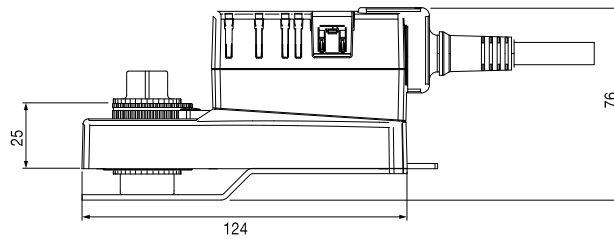
Direction of rotation
(factory setting,
switch hidden)



Dimensions

Unit [mm]

NRVU24
NRVU230
NRVU24-SR



NRVU24-S
NRVU230-S

