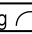




- Non-spring return actuators, for operation of DN50...65 Butterfly valves
- Torque 10 Nm
- Open/Close or 3-point control: NRVU24(-S), NRVU230(-S)
- Modulating control: NRVU24-SR

**Technical data**

<b>NRVU24(-S)</b>	Nominal voltage	AC 24 V 50/60 Hz, DC 24 V	
	Nominal voltage range	AC/DC 19.2... 28.8 V	
	Power consumption - running	2.0 W	
	- holding	0.2 W	
	For transformer/wire sizing	4 VA	
	Connecting cable - Motor	Cable 1m, 3 x 0.75mm <sup>2</sup>	
	- Auxiliary switch(-S)	Cable 1m, 3 x 0.75mm <sup>2</sup>	
Protection class	III (safety low voltage)		
Weight	NRVU24 approx 750g, NRVU24-S approx 850g		
<b>NRVU230(-S)</b>	Nominal voltage	AC 100... 240 V 50/60 Hz	
	Nominal voltage range	AC 85... 265 V	
	Power consumption - running	3.0 W	
	- holding	0.6 W	
	For wire sizing	7 VA	
	Connecting cable - Motor	Cable 1m, 3 x 0.75mm <sup>2</sup>	
	- Auxiliary switch(-S)	Cable 1m, 3 x 0.75mm <sup>2</sup>	
Protection class	II (Totally insulated) <input type="checkbox"/>		
Weight	NRVU230 approx 800g, NRVU230-S approx 850g		
<b>NRVU24-SR</b>	Nominal voltage	AC 24 V 50/60 Hz, DC 24 V	
	Nominal voltage range	AC/DC 19.2 ... 28.8 V	
	Power consumption - running	2.5 W	
	- holding	0.4 W	
	For transformer/wire sizing	5 VA	
	Connecting cable	Cable 1m, 4 x 0.75mm <sup>2</sup>	
	Control signal Y	DC 2(0)...10 V @ input resistance 100K $\Omega$	
	Feedback signal U	DC 2...10 V @ max. 1 mA	
	Synchronisation	$\pm$ 5%	
	Protection class	III (safety low voltage)	
	Weight	800g	
	<b>Common technical data</b>	Torque	Min. 10 Nm @ nominal voltage
		Auxiliary switch (NRVU..-S)	1 x SPDT 1 mA... 3 (0.5) A, AC 250 V <input type="checkbox"/> 0..100% adjustable
		Angle of rotation	max. 90°
Direction of rotation		Pre-setting  to close (switch hidden under a label)	
Sound power level		max. 45 dB(A)	
Position indicator		mechanical, remote visible	
Manual override		Gearing disengaged by pressing the pushbutton, manual operate while the button is held depressed	
Running time		90s	
Mode of operation		EN 60730-1 Type 1	
Ambient temp.		- 30°C... + 50°C	
Non-operation temp.		- 40°C... + 80°C	
Humidity test		95% RH, non condensing (EN 60730-1)	
Degree of protection		IP54 in any direction	
EMC		CE according to 89/336/EEC	
Low Voltage Directive		CE according to 73/23/EEC	
Maintenance		maintenance free	

**Product features**

**Mode of operation** NRVU24-SR is controlled by means of a standard control signal DC 2(0)...10V and travels to the position defined by this signal. The feedback signal U allows the valve position (0...100%) to be electrically indicated and serves as a follow-up control signal for other actuators.

**Adjustable angle of rotation** Adjustable angle of rotation with mechanical end stops.  
**High functional reliability** The actuator is overload-proof, requires no limit switches and automatically stops when the endstop is reached.

**Flexible signalization** Flexible signalization of the NRVU..-S with adjustable auxiliary switch (0...100%).

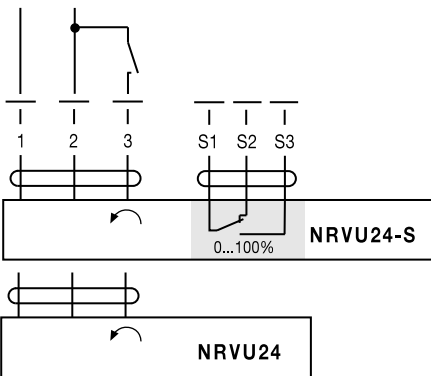
**Simple mounting** Includes WD6-NRSR linkage kit, see page 27.

**Wiring diagrams**

**NRVU24(-S)**

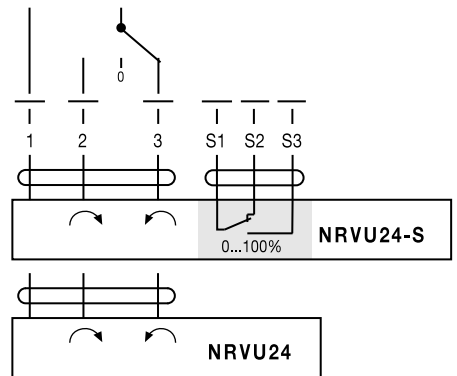
**Open/Close control**

⊥ ~ AC 24 V  
 - + DC 24 V



**3-point control**

⊥ ~ AC 24 V  
 - + DC 24 V



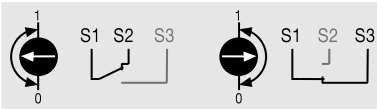
**Notes**

- Connection via safety isolating transformer.
- Other actuators can be connected in parallel. Please note the performance data.

**Direction of rotation**  
 (factory setting, switch hidden)



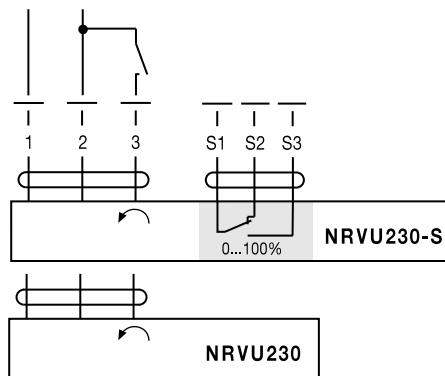
**Auxiliary switch(-S)**



**NRVU230(-S)**

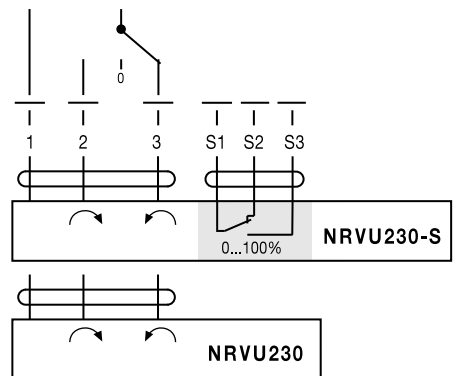
**Open/Close control**

N L1 AC 100...240 V



**3-point control**

N L1 AC 100...240 V



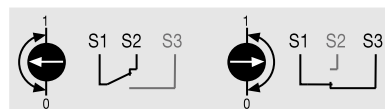
**Notes**

- Caution: Power supply voltage !
- Other actuators can be connected in parallel. Please note the performance data.

**Direction of rotation**  
 (factory setting, switch hidden)



**Auxiliary switch(-S)**



NRVU24-SR

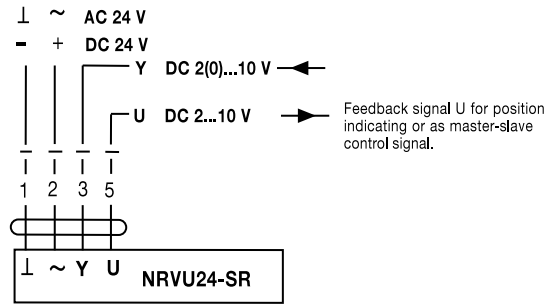
Modulating control

Notes

- Connection via safety isolating transformer.
  - Other actuators can be connected in parallel.
- Please note the performance data.



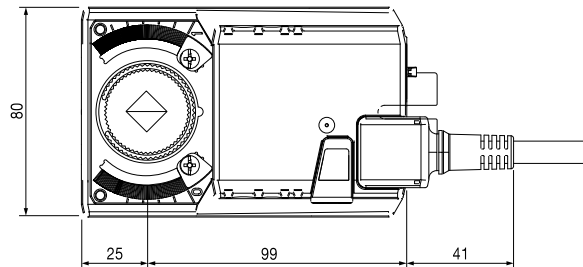
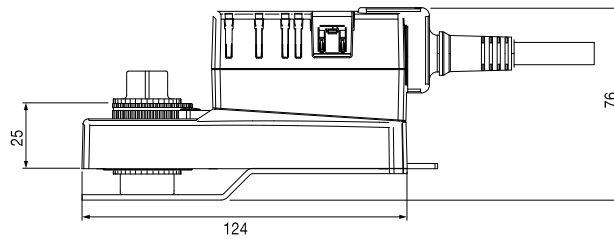
Direction of rotation  
(factory setting,  
switch hidden)



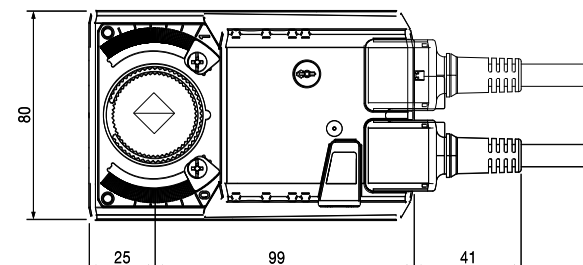
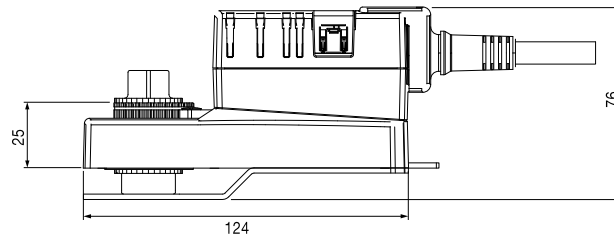
Dimensions

Unit [mm]

NRVU24  
NRVU230  
NRVU24-SR



NRVU24-S  
NRVU230-S



- Non-spring return actuators, for operation of DN80...100 Butterfly valves
- Torque 20 Nm
- Open/Close or 3-point control: SRVU24(-S), SRVU230(-S)
- Modulating control: SRVU24-SR



Technical data

<b>SRVU24(-S)</b>	Nominal voltage	AC 24 V 50/60 Hz, DC 24 V	
	Nominal voltage range	AC/DC 19.2 ... 28.8 V	
	Power consumption- running	2.5 W	
	- holding	0.2 W	
	For transformer/wire sizing	5.5 VA	
	Connecting cable - Motor	Cable 1m, 3 x 0.75mm <sup>2</sup>	
	- Auxiliary switch(-S)	Cable 1m, 3 x 0.75mm <sup>2</sup>	
Protection class	III (safety low voltage)		
Weight	SRVU24 approx 1000g SRVU24-S approx 1050g		
<b>SRVU230(-S)</b>	Nominal voltage	AC 100... 240 V 50/60 Hz	
	Nominal voltage range	AC 85... 265 V	
	Power consumption - running	3.0 W	
	- holding	0.6 W	
	For wire sizing	7 VA	
	Connecting cable - Motor	Cable 1m, 3 x 0.75mm <sup>2</sup>	
	- Auxiliary switch(-S)	Cable 1m, 3 x 0.75mm <sup>2</sup>	
Protection class	II (Totally insulated) <input type="checkbox"/>		
Weight	SRVU230 approx 1050g, SRVU230-S approx 1100g		
<b>SRVU24-SR</b>	Nominal voltage	AC 24 V 50/60 Hz, DC 24 V	
	Nominal voltage range	AC/DC 19.2 ... 28.8 V	
	Power consumption- running	2.5 W	
	- holding	0.4 W	
	For transformer/wire sizing	5 VA	
	Connecting cable	Cable 1m, 4 x 0.75mm <sup>2</sup>	
	Control signal Y	DC 2(0)...10 V @ input resistance 100K $\Omega$	
	Feedback signal U	DC 2...10 V @ max. 1 mA	
	Synchronisation	$\pm$ 5%	
	Protection class	III (safety low voltage)	
	Weight	1050g	
	<b>Common technical data</b>	Torque	Min. 20 Nm @ nominal voltage
		Auxiliary switch (SRVU...-S)	1 x SPDT 1 mA ... 3 (0.5) A, AC 250 V <input type="checkbox"/> 0..100% adjustable
	Angle of rotation	max. 90°	
	Direction of rotation	Pre-setting  to close (switch hidden under a label)	
	Sound power level	max. 45 dB(A)	
	Position indicator	mechanical, remote visible	
	Manual override	Gearing disengaged by pressing the push button, manual operate while the button is held depressed	
	Running time	90s	
	Mode of operation	EN 60730-1 Type 1	
	Ambient temp.	-30°C... + 50°	
	Non-operation temp.	-40°C... + 80°C	
	Humidity test	95% RH, non condensing (EN 60730-1)	
	Degree of protection	IP54 in any direction	
	EMC	CE according to 89/336/EEC	
	Low Voltage Directive	CE according to 73/23/EEC	
	Maintenance	maintenance free	

**Product features**

**Mode of operation** SRVU24-SR is controlled by means of a standard control signal DC 2(0)...10V and travels to the position defined by this signal. The feedback signal U allows the valve position (0...100%) to be electrically indicated and serves as a follow-up control signal for other actuators.

**Adjustable angle of rotation** Adjustable angle of rotation with mechanical end stops.

**High functional reliability** The actuator is overload-proof, requires no limit switches and automatically stops when the end stop is reached


**Flexible signalization** Flexible signalization of the SRVU..-S with adjustable auxiliary switch (0...100%)

**Simple mounting** Includes WD6-NRSR linkage kit, see page 27.


**Wiring diagrams**

**Notes**


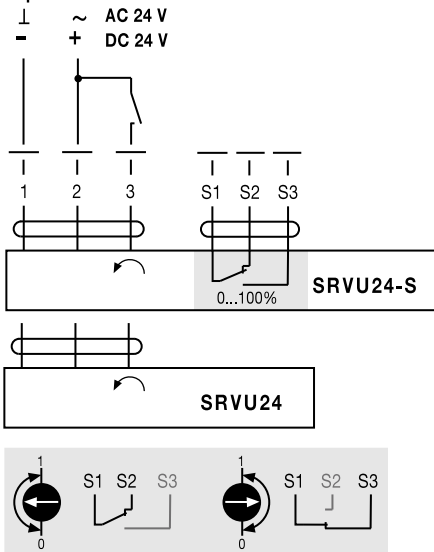
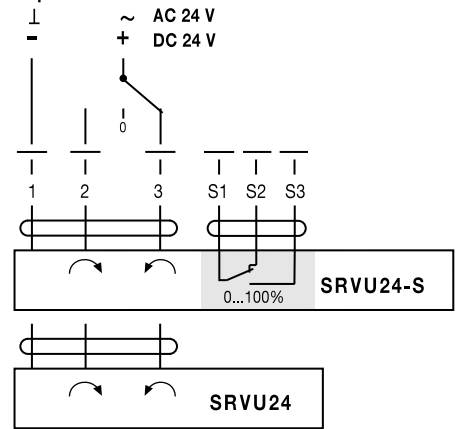
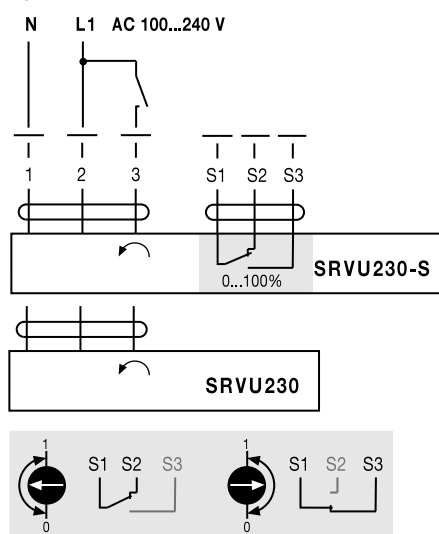
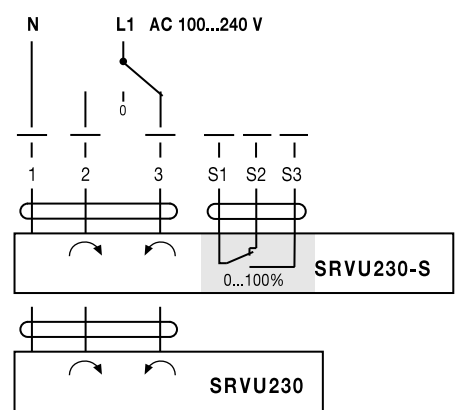
- Connection via safety isolating transformer.
- Other actuators can be connected in parallel. Please note the performance data.



**Direction of rotation**  
(factory setting, switch hidden)




**Auxiliary switch(-S)**



**SRVU24(-S)**
**Open/Close control**

**3-point control**

**SRVU230(-S)**
**Open/Close control**

**3-point control**


**Notes**


- Caution: Power supply voltage !
- Other actuators can be connected in parallel. Please note the performance data.



**Direction of rotation**  
(factory setting, switch hidden)



**Auxiliary switch(-S)**



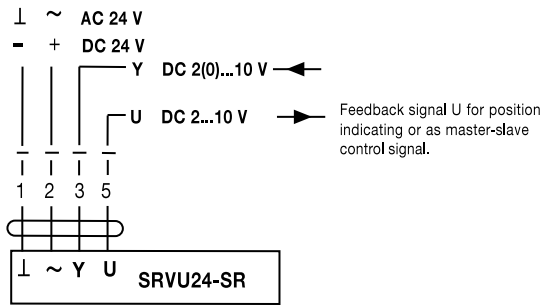
**SRVU24-SR Modulating control**

**Notes**

- Connection via safety isolating transformer.
- Other actuators can be connected in parallel. Please note the performance data.



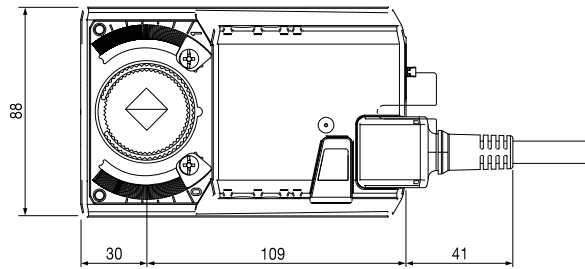
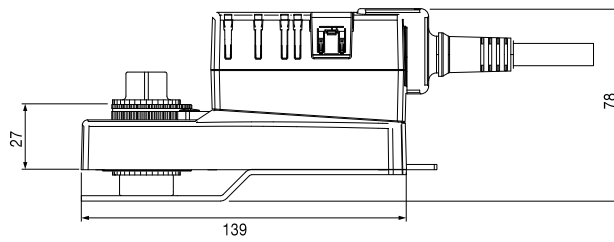
**Direction of rotation**  
(factory setting, switch hidden)



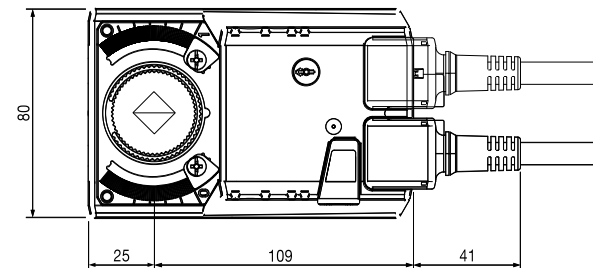
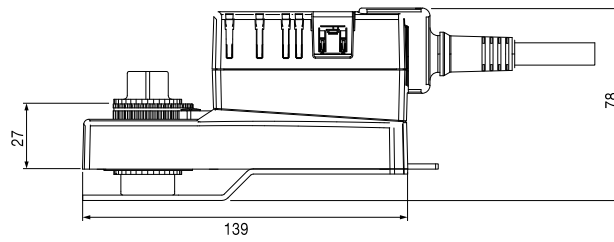
**Dimensions**

**Unit [mm]**

**SRVU24  
SRVU230  
SRVU24-SR**




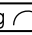
**SRVU24-S  
SRVU230-S**





- **Non-spring return actuators, for operation of DN100...150 Butterfly valves, dual GRVU.. are for operation of DN125... 200 Butterfly valves**
- **Torque 40 Nm**
- **Open/Close control: GRVU24, GRVU230**
- **Modulating control: GRVU24-SR**

**Technical data**

<b>GRVU24</b>	Nominal voltage	AC 24 V 50/60 Hz, DC 24 V
	Nominal voltage range	AC/DC 19.2 ... 28.8 V
	Power consumption	- running 4 W - holding 2 W
	For transformer/wire sizing	6 VA
	Connecting cable	Cable 1m, 3 x 0.75mm <sup>2</sup>
	Protection class	III (safety low voltage)
	Weight	Approx. 1550g
<b>GRVU230</b>	Nominal voltage	AC 100...240 V 50/60 Hz
	Nominal voltage range	AC 85...265 V
	Power consumption	- running 4 W - holding 2 W
	For wire sizing	7 VA
	Connecting cable	Cable 1m, 3 x 0.75mm <sup>2</sup>
Protection class	II (Totally insulated) 	
Weight	Approx. 1550 g	
<b>GRVU24-SR</b>	Nominal voltage	AC 24 V 50/60 Hz, DC 24 V
	Nominal voltage range	AC/DC 19.2 ... 28.8 V
	Power consumption	- running 4.5 W - holding 2 W
	For transformer/wire sizing	6.5 VA
	Connecting cable	Cable 1m, 4 x 0.75mm
	Control signal Y	DC 2(0)...10 V @ input resistance 100KΩ
	Feedback signal U	DC 2...10 V @ max. 1 mA
	Synchronisation	± 5%
	Protection class	III (safety low voltage)
	Weight	1550g
	<b>Common technical data</b>	Torque
Angle of rotation		max. 95°
Direction of rotation		Pre-setting  to close (switch hidden under a label)
Sound power level		max. 45 dB(A)
Position indicator		mechanical, remote visible
Manual override		Gearing disengaged by pressing the pushbutton, manual operate while the button is held depressed
Running time		150s
Mode of operation		EN 60730-1 Type 1
Ambient temp.		- 30°C...+ 50°C
Non-operation temp.		- 40°C...+ 80°C
Humidity test		95% RH, non condensing (EN 60730-1)
Degree of protection		IP54 in any direction
Low Voltage Directive		CE according to 89/336/EEC
Maintenance		CE according to 73/23/EEC maintenance free

**Product features**

**Mode of operation** GRVU24-SR is controlled by means of a standard control signal DC 2(0)...10V and travels to the position defined by this signal. The feedback signal U allows the valve position (0...100%) to be electrically indicated and serves as a follow-up control signal for other actuators.

**Adjustable angle of rotation** Adjustable angle of rotation with mechanical end stops.

**High functional reliability** The actuator is overload-proof, requires no limit switches and automatically stops when the endstop is reached.

**Accessories**

	Description
<b>Electrical accessories</b> (available on request)	Auxiliary switch S..A.. (WD6P needed)
	Feedback potentiometer P..A.. (WD6P needed)
	Positioner SG..24
	Digital position indication ZAD24
<b>Linkage kit</b>	WD6-GR, for DN100...150 butterfly valve with single GRVU.. actuator, see page 28
	WD6-2GR, for DN125...200 butterfly valve with dual GRVU.. actuators, see page 29
	WD6P, for DU6... butterfly valve with Auxiliary Switch or potentiometer

**Wiring diagrams**

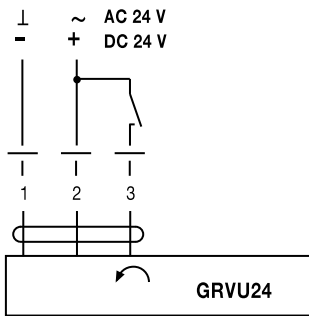
**GRVU24 Open/Close control**

**Notes**

- Connection via safety isolating transformer.
- Other actuators can be connected in parallel.

Please note the performance data.

**Direction of rotation**  
(factory setting, switch hidden)



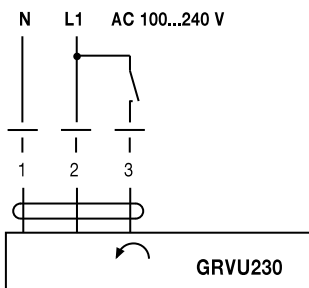
**GRVU230 Open/Close control**

**Notes**

- Caution: Power supply voltage !
- Other actuators can be connected in parallel.

Please note the performance data.

**Direction of rotation**  
(factory setting, switch hidden)



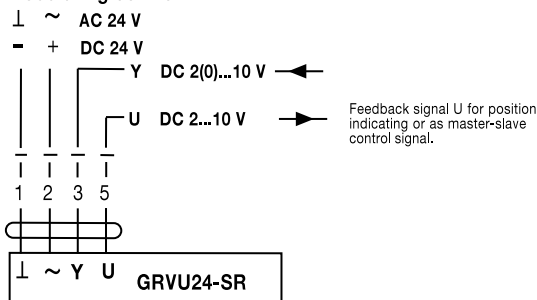
**GRVU24-SR Modulating control**

**Notes**

- Connection via safety isolating transformer.
- Other actuators can be connected in parallel.

Please note the performance data.

**Direction of rotation**  
(factory setting, switch hidden)





**Dimensions**

**Unit [mm]**

GRVU24  
GRVU230  
GRVU24-SR

