


- Non-spring return actuators, for operation of DN80...100 Butterfly valves
- Torque 20 Nm
- Open/Close or 3-point control: SRVU24(-S), SRVU230(-S)
- Modulating control: SRVU24-SR



Technical data

|                             |   |  |  |
|-----------------------------|---|--|--|
| <b>SRVU24(-S)</b>           | Nominal voltage                                 | AC 24 V 50/60 Hz, DC 24 V  |  |
|                             | Nominal voltage range                           | AC/DC 19.2 ... 28.8 V  |  |
|                             | Power consumption- running                      | 2.5 W  |  |
|                             | - holding                                       | 0.2 W  |  |
|                             | For transformer/wire sizing                     | 5.5 VA   |  |
|                             | Connecting cable - Motor                        | Cable 1m, 3 x 0.75mm <sup>2</sup>  |  |
|                             | - Auxiliary switch(-S)                          | Cable 1m, 3 x 0.75mm <sup>2</sup>  |  |
|                             | Protection class                                | III (safety low voltage)   |  |
|                             | Weight  | SRVU24 approx 1000g SRVU24-S approx 1050g  |  |
|                             | <b>SRVU230(-S)</b>                              | Nominal voltage  | AC 100... 240 V 50/60 Hz   |
| Nominal voltage range       |   | AC 85... 265 V   |  |
| Power consumption - running |   | 3.0 W  |  |
| - holding                   |   | 0.6 W  |  |
| For wire sizing             |   | 7 VA   |  |
| Connecting cable - Motor    |   | Cable 1m, 3 x 0.75mm <sup>2</sup>  |  |
| - Auxiliary switch(-S)      |   | Cable 1m, 3 x 0.75mm <sup>2</sup>  |  |
| Protection class            | II (Totally insulated) <input type="checkbox"/> |  |  |
| Weight                      | SRVU230 approx 1050g, SRVU230-S approx 1100g    |  |  |
| <b>SRVU24-SR</b>            | Nominal voltage                                 | AC 24 V 50/60 Hz, DC 24 V  |  |
|                             | Nominal voltage range                           | AC/DC 19.2 ... 28.8 V  |  |
|                             | Power consumption- running                      | 2.5 W  |  |
|                             | - holding                                       | 0.4 W  |  |
|                             | For transformer/wire sizing                     | 5 VA   |  |
|                             | Connecting cable                                | Cable 1m, 4 x 0.75mm <sup>2</sup>  |  |
|                             | Control signal Y                                | DC 2(0)...10 V @ input resistance 100K $\Omega$  |  |
|                             | Feedback signal U                               | DC 2...10 V @ max. 1 mA  |  |
|                             | Synchronisation                                 | $\pm$ 5%   |  |
|                             | Protection class                                | III (safety low voltage)   |  |
|                             | Weight  | 1050g  |  |
|                             | <b>Common technical data</b>                    | Torque   | Min. 20 Nm @ nominal voltage   |
|                             |   | Auxiliary switch (SRVU...-S)   | 1 x SPDT 1 mA ... 3 (0.5) A, AC 250 V <input type="checkbox"/><br>0..100% adjustable |
| Angle of rotation           |   | max. 90°   |  |
| Direction of rotation       |   | Pre-setting  to close (switch hidden under a label) |  |
| Sound power level           |   | max. 45 dB(A)  |  |
| Position indicator          |   | mechanical, remote visible   |  |
| Manual override             |   | Gearing disengaged by pressing the push button, manual operate while the button is held depressed  |  |
| Running time                |   | 90s  |  |
| Mode of operation           |   | EN 60730-1 Type 1  |  |
| Ambient temp.               |   | -30°C... + 50°   |  |
| Non-operation temp.         |   | -40°C... + 80°C  |  |
| Humidity test               |   | 95% RH, non condensing (EN 60730-1)  |  |
| Degree of protection        |   | IP54 in any direction  |  |
| EMC                         |   | CE according to 89/336/EEC   |  |
| Low Voltage Directive       |   | CE according to 73/23/EEC  |  |
| Maintenance                 |   | maintenance free   |  |

**Product features**

**Mode of operation** SRVU24-SR is controlled by means of a standard control signal DC 2(0)...10V and travels to the position defined by this signal. The feedback signal U allows the valve position (0...100%) to be electrically indicated and serves as a follow-up control signal for other actuators.

**Adjustable angle of rotation** Adjustable angle of rotation with mechanical end stops.

**High functional reliability** The actuator is overload-proof, requires no limit switches and automatically stops when the end stop is reached


**Flexible signalization** Flexible signalization of the SRVU..-S with adjustable auxiliary switch (0...100%)

**Simple mounting** Includes WD6-NRSR linkage kit, see page 27.


**Wiring diagrams**

**Notes**


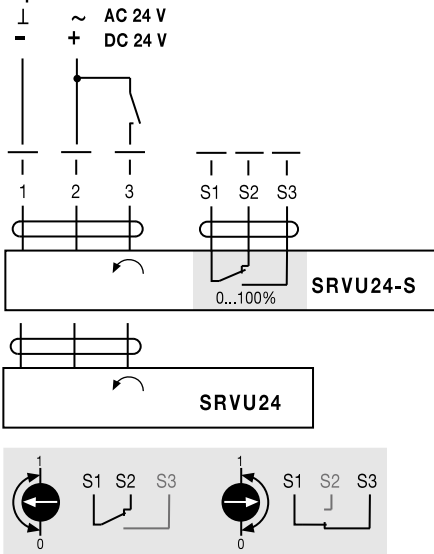
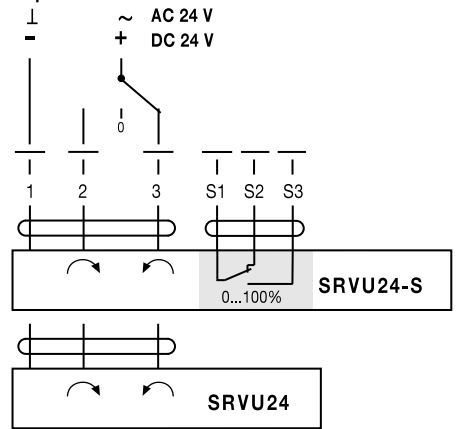
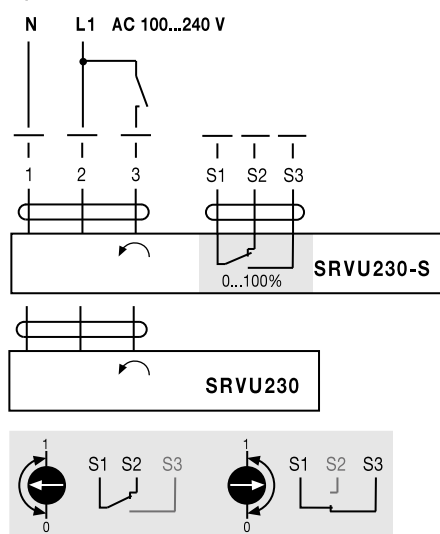
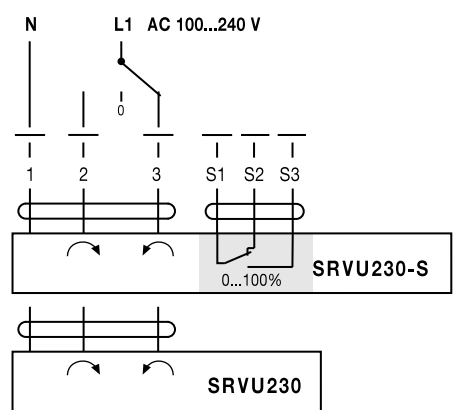
- Connection via safety isolating transformer.
- Other actuators can be connected in parallel. Please note the performance data.



**Direction of rotation**  
(factory setting, switch hidden)




**Auxiliary switch(-S)**



**SRVU24(-S)**
**Open/Close control**

**3-point control**

**SRVU230(-S)**
**Open/Close control**

**3-point control**


**Notes**


- Caution: Power supply voltage !
- Other actuators can be connected in parallel. Please note the performance data.



**Direction of rotation**  
(factory setting, switch hidden)



**Auxiliary switch(-S)**



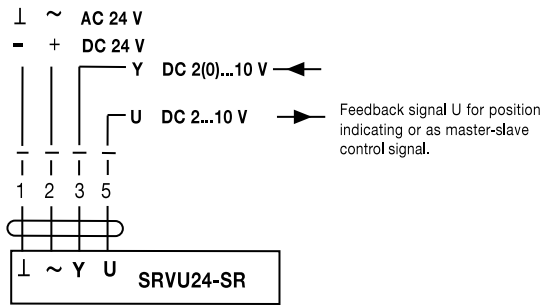
**SRVU24-SR Modulating control**

**Notes**

- Connection via safety isolating transformer.
- Other actuators can be connected in parallel. Please note the performance data.



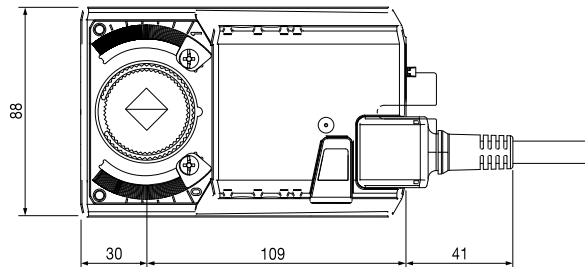
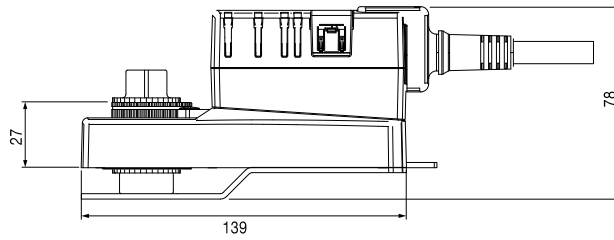
**Direction of rotation**  
(factory setting, switch hidden)



**Dimensions**

**Unit [mm]**

**SRVU24  
SRVU230  
SRVU24-SR**



**SRVU24-S  
SRVU230-S**

