

- Non-spring return rotary actuators: for ball valves DN100...150
- Torque 40 Nm
- Modulating control **GRU24-SR (AC/DC 24 V)**
- Open/Close control **GRU24 (AC/DC 24 V)**
GRU230 (AC 100...240 V)


Technical data

Basic Technical data	Connection cable	1m, 0.75mm ²	
	Torque	40 Nm	
	Angle of rotation	90°	
	Running time	150s	
	Sound power level	Max. 45 dB (A)	
	Position indication	Mechanical	
	Direction of rotation	Selectable by switch (covered): Factory preset change to to reverse the direction of rotation	
	Degree of protection	IP54 in any direction	
	EMC	CE according to 89/336/EEC	
	Ambient temperature range	-5... +50°C	
	Non-operation temperature	-5... +80°C	
	Temperature of medium	-5... +100°C	
	Humidity test	EN 60730-1	
	Maintenance	Maintenance free	
GRU24-SR	Nominal voltage range	AC/DC 19.2... 28.8 V	
	Power consumption	4.5 W @ running / 2 W @ holding	
	Transformer sizing	6.5 VA	
	Control Signal	DC2(0)...10 V (input impedance 100 kΩ)	
	Feedback signal	DC2...10 V, Max. 1 mA	
GRU24	Protection class	III (safety low voltage)	
	Weight	2.0 kg	
	GRU24	Nominal voltage range	AC/DC 19.2... 28.8 V
		Power consumption	4 W @ running / 2 W @ holding
		Transformer sizing	6 VA
Protection class		III (safety low voltage)	
GRU230	Weight	2.0 kg	
	Nominal voltage range	AC 85... 265 V	
	Power consumption	5 W @ running / 2.5 W @ holding	
	Transformer sizing	9 VA	
	Low voltage directive	CE according to 73/23/EEC	
GRU230	Protection class	II (Totally insulated)	
	Weight	2.05 kg	

Product features

- Simple direct mounting** Simple direct mounting on the ball valve using only one screw.
- Manual operation** Manual operation by pushbutton when necessary.
- High function reliability** The actuator is overload-proof, needs no limit switches, stops automatically at the end stops.

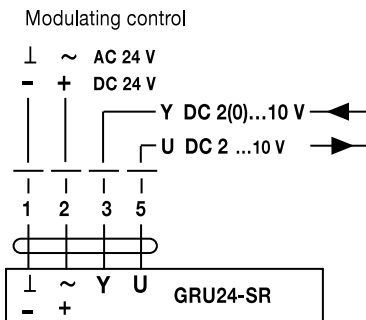
Wirings

GRU24-SR

Notes:

- Connection via safety isolating transformer.
- Other actuators can be connected in parallel.

Please note the performance data.

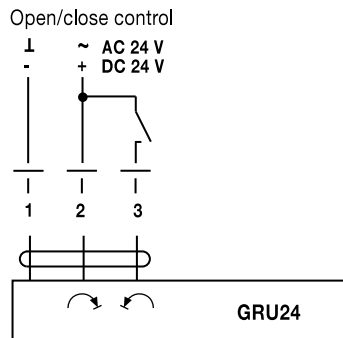


GRU24

Notes:

- Connection via safety isolating transformer.
- Other actuators can be connected in parallel.

Please note the performance data.



GRU230

Notes:

- Caution: Power supply voltage.
- Other actuators can be connected in parallel.

Please note the performance data.

