

- Non-spring return rotary actuators: for 2 way ball valves DN32...40  
3 way ball valves DN25...32
- Torque 5 Nm
- Modulating control LRU24-SR (AC/DC 24 V)
- Open/Close and floating control LRU24(-S) (AC/DC 24 V)  
LRU230(-S) (AC 100...240 V)


**Technical data**

<b>Basic Technical data</b>	Connection cable	1m, 0.75mm <sup>2</sup>	
	Torque	5 Nm	
	Angle of rotation	90°	
	Running time	90s	
	Sound power level	Max. 35 dB (A)	
	Position indication	Mechanical	
	Direction of rotation	Selectable by switch (covered): Factory preset  change to  to reverse the direction of rotation	
	Degree of protection	IP54 in any direction	
	EMC	CE according to 89/336/EEC	
	Ambient temperature range	-5... +50°C	
	Non-operation temperature	-5... +80°C	
	Temperature of medium	-5... +100°C	
	Humidity test	EN 60730-1	
	Maintenance	Maintenance free	
	<b>LRU24-SR</b>	Nominal voltage range	AC/DC 19.2... 28.8 V
		Power consumption	1.5 W @running / 0.4 W @ holding
Transformer sizing		3 VA	
Control Signal		DC2(0)... 10 V (input impedance 100 kΩ)	
Feedback signal		DC2...10 V, Max. 1 mA	
Protection class		III (safety low voltage)	
<b>LRU24(-S)</b>	Weight	0.55 kg	
	Nominal voltage range	AC/DC 19.2... 28.8 V	
	Power consumption	1.5 W @running / 0.2 W @ holding	
	Transformer sizing	2 VA	
	Protection class	III (safety low voltage)	
<b>LRU230(-S)</b>	Auxiliary switch (LRU24-S)	1 X SPDT, 1 mA ...3(0.5) A, AC 250 V <input type="checkbox"/>	
	Weight	0.55 kg	
	Nominal voltage range	AC 85 ... 265 V	
	Power consumption	2.0 W @ running / 0.5 W @ holding	
	Transformer sizing	4 VA	
	Low voltage directive	CE according to 73/23/EEC	
	Protection class	II (Totally insulated) <input type="checkbox"/>	
Auxiliary switch (LRU230-S)	1 X SPDT, 1 mA ...3(0.5) A, AC 250 V <input type="checkbox"/>		
Weight	0.60 kg		

**Product features**

- Simple direct mounting** Simple direct mounting on the ball valve using only one screw.
- Manual operation** Manual operation by pushbutton when necessary.
- High function reliability** The actuator is overload-proof, needs no limit switches, stops automatically at the end stops.

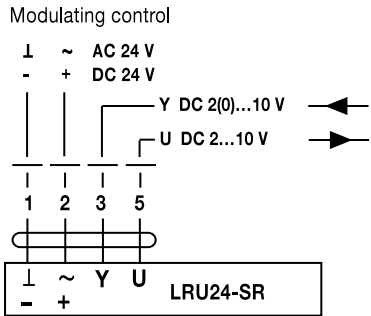
**Wirings**

**LRU24-SR**

**Notes:**

- Connection via safety isolating transformer.
- Other actuators can be connected in parallel.

Please note the performance data.

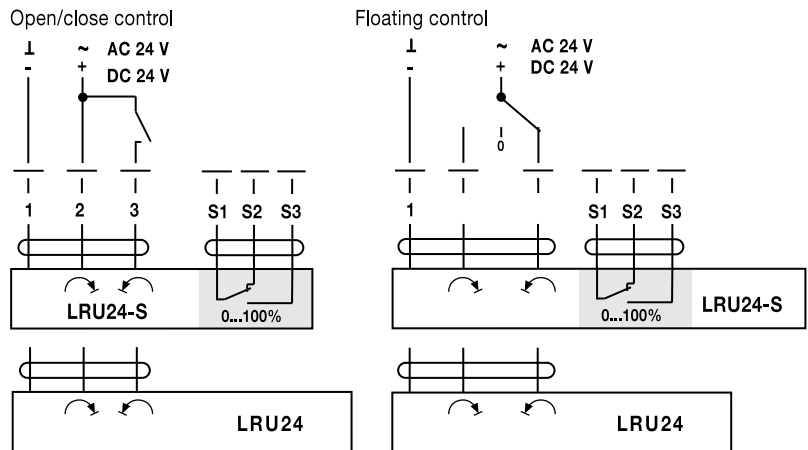


**LRU24(-S)**

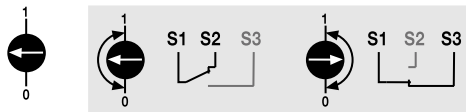
**Notes:**

- Connection via safety isolating transformer.
- Other actuators can be connected in parallel.

Please note the performance data.



Auxiliary switch

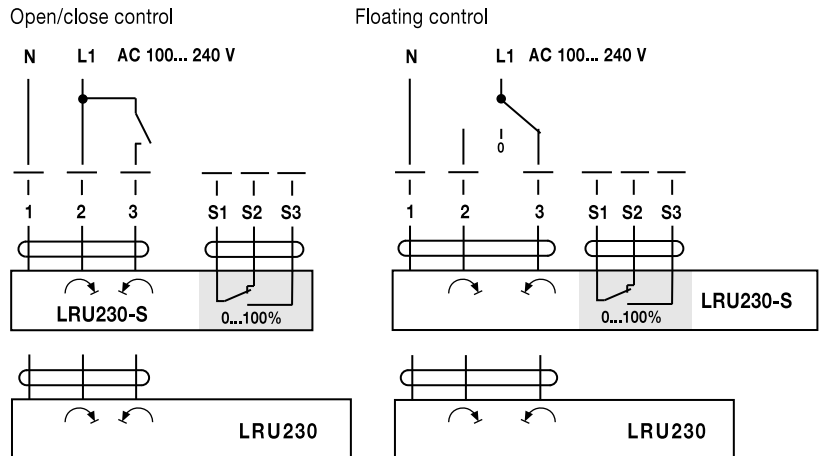


**LRU230(-S)**

**Notes:**

- Caution: Power supply voltage.
- Other actuators can be connected in parallel.

Please note the performance data.



Auxiliary switch

