

- Non-spring return rotary actuators: for 2 way ball valves DN50  
3 way ball valves DN32...50
- Torque 10 Nm
- Modulating control
- Open/Close and floating control

NRU24-SR (AC/DC 24 V)  
NRU24(-S) (AC/DC 24 V)  
NRU230(-S) (AC 100...240 V)


**Technical data**

<b>Basic Technical data</b>	Connection cable	1m, 0.75mm <sup>2</sup>
	Torque	10 Nm
	Angle of rotation	90°
	Running time	90s
	Sound power level	Max. 45 dB (A)
	Position indication	Mechanical
	Direction of rotation	Selectable by switch (covered): Factory preset  change to  to reverse the direction of rotation
	Degree of protection	IP54 in any direction
	EMC	CE according to 89/336/EEC
	Ambient temperature range	-5... +50°C
	Non-operation temperature	-5... +80°C
	Temperature of medium	-5... +100°C
	Humidity test	EN 60730-1
	Maintenance	Maintenance free
<b>NRU24-SR</b>	Nominal voltage range	AC/DC 19.2... 28.8 V
	Power consumption	2.5 W @ running / 0.4 W @ holding
	Transformer sizing	5 VA
	Control Signal	DC2(0)...10 V (input impedance 100 kΩ)
	Feedback signal	DC2...10 V, Max. 1mA
	Protection class	III (safety low voltage)
Weight	0.85 kg	
<b>NRU24(-S)</b>	Nominal voltage range	AC/DC 19.2... 28.8 V
	Power consumption	2.0 W @ running / 0.2 W @ holding
	Transformer sizing	4 VA
	Protection class	III (safety low voltage)
	Auxiliary switch (NRU24-S)	1 X SPDT, 1 mA ...3(0.5) A, AC 250 V <input type="checkbox"/>
		0... 100% adjustable
Weight	0.85 kg	
<b>NRU230(-S)</b>	Nominal voltage range	AC 85 ... 265 V
	Power consumption	3.0 W @ running / 0.6 W @ holding
	Transformer sizing	7 VA
	Low voltage directive	CE according to 73/23/EEC
	Protection class	II (Totally insulated) <input type="checkbox"/>
	Auxiliary switch (NRU230-S)	1 X SPDT, 1 mA ...3(0.5) A, AC 250 V <input type="checkbox"/>
	0... 100% adjustable	
Weight	0.90 kg	

**Product features**

- Simple direct mounting** Simple direct mounting on the ball valve using only one screw.
- Manual operation** Manual operation pushbutton when necessary.
- High function reliability** The actuator is overload-proof, needs no limit switches, stops automatically at the end stops.

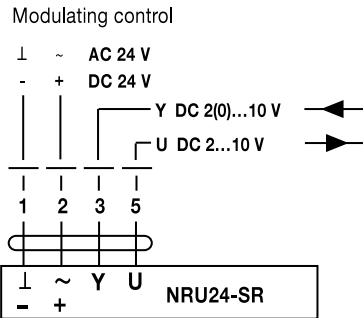
**Wirings**

**NRU24-SR**

**Notes:**

- Connection via safety isolating transformer.
- Other actuators can be connected in parallel.

Please note the performance data.

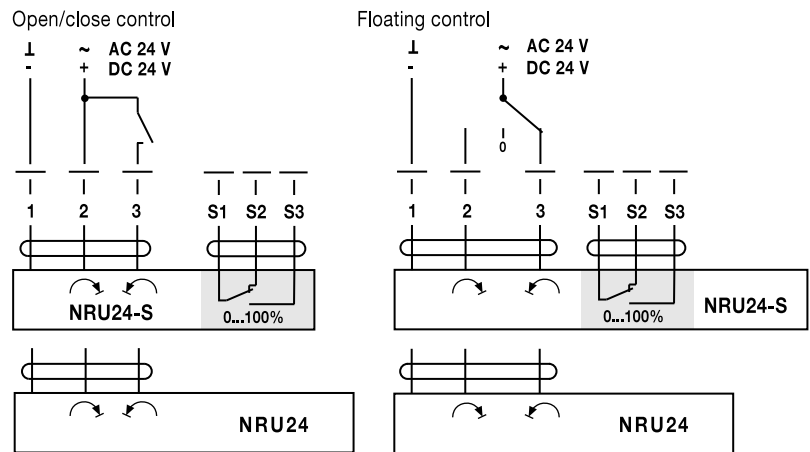


**NRU24(-S)**

**Notes:**

- Connection via safety isolating transformer.
- Other actuators can be connected in parallel.

Please note the performance data.



Auxiliary switch

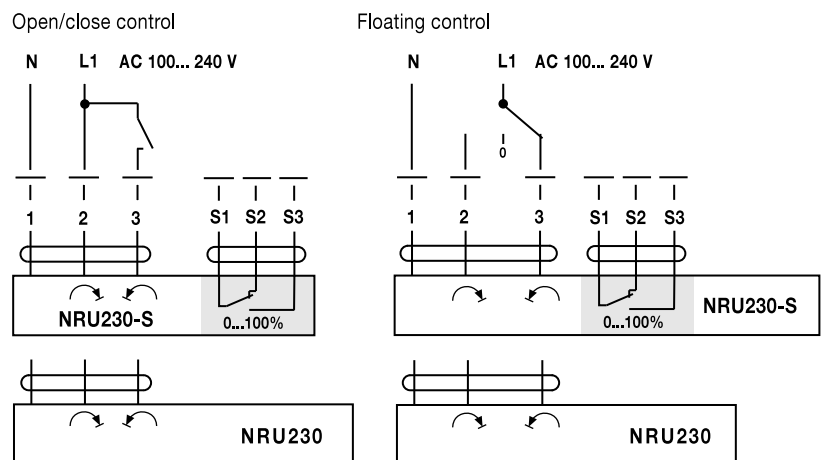


**NRU230(-S)**

**Notes:**

- Caution: Power supply voltage.
- Other actuators can be connected in parallel.

Please note the performance data.



Auxiliary switch

