

- Non-spring return rotary actuators: for 2 way ball valves DN65...80
3 way ball valves DN50
- Torque 20 Nm
- Modulating control
- Open/Close and floating control

SRU24-SR (AC/DC 24 V)
 SRU24(-S) (AC/DC 24 V)
 SRU230(-S) (AC 100...240 V)


Technical data

Basic Technical data	Connection cable	1m, 0.75mm ²	
	Torque	20 Nm	
	Angle of rotation	90°	
	Running time	90s	
	Sound power level	Max. 45 dB (A)	
	Position indication	Mechanical	
	Direction of rotation	Selectable by switch (covered): Factory preset change to to reverse the direction of rotation	
	Degree of protection	IP54 in any direction	
	EMC	CE according to 89/336/EEC	
	Ambient temperature range	-5... +50°C	
	Non-operation temperature	-5... +80°C	
	Temperature of medium	-5... +100°C	
	Humidity test	EN 60730-1	
	Maintenance	Maintenance free	
	SRU24-SR	Nominal voltage range	AC/DC 19.2... 28.8 V
		Power consumption	2.5 W @ running / 0.4 W @ holding
Transformer sizing		5 VA	
Control Signal		DC2(0)...10 V (input impedance 100 kΩ)	
Feedback signal		DC2...10 V, Max. 1 mA	
Protection class		III (safety low voltage)	
Weight		1.0 kg	
SRU24(-S)	Nominal voltage range	AC/DC 19.2... 28.8 V	
	Power consumption	2.5 W @ running / 0.2 W @ holding	
	Transformer sizing	5.5 VA	
	Protection class	III (safety low voltage)	
	Auxiliary switch (SRU24-S)	1 X SPDT, 1 mA ...3(0.5) A, AC 250 V <input type="checkbox"/>	
	Weight	1.0 kg	
SRU230(-S)	Nominal voltage range	AC 85... 265 V	
	Power consumption	3.0 W @ running / 0.6 W @ holding	
	Transformer sizing	7 VA	
	Low voltage directive	CE according to 73/23/EEC	
	Protection class	II (Totally insulated) <input type="checkbox"/>	
	Auxiliary switch (SRU230-S)	1 x SPDT, 1 mA ...3(0.5) A, AC 250 V <input type="checkbox"/>	
	Weight	1.05 kg	

Product features

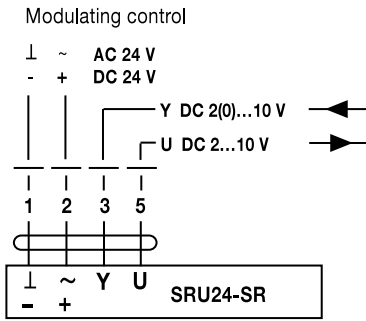
- Simple direct mounting** Simple direct mounting on the ball valve using only one screw.
- Manual operation** Manual operation by pushbutton when necessary.
- High function reliability** The actuator is overload-proof, needs no limit switches, stops automatically at the end stops.

Wirings

SRU24-SR

Notes:

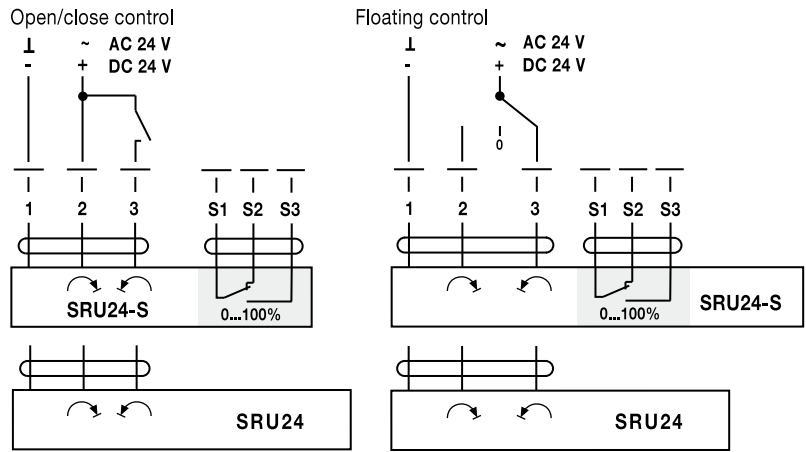
- Connection via safety isolating transformer.
- Other actuators can be connected in parallel. Please note the performance data.



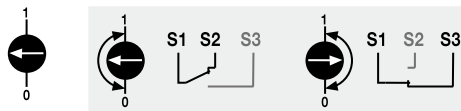
SRU24(-S)

Notes:

- Connection via safety isolating transformer.
- Other actuators can be connected in parallel. Please note the performance data.



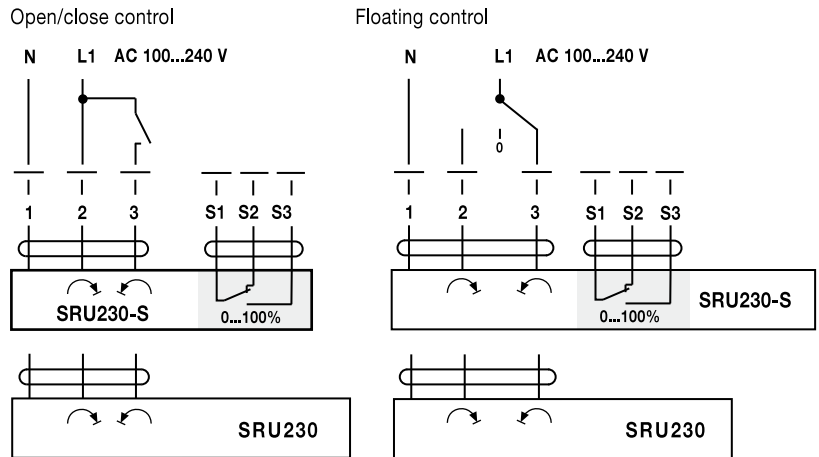
Auxiliary switch



SRU230(-S)

Notes:

- Caution: Power supply voltage.
- Other actuators can be connected in parallel. Please note the performance data.



Auxiliary switch

